



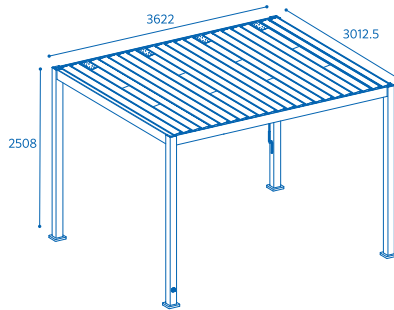
GAZEBO

MANDALAY LED & MIST

3m x 3.6m



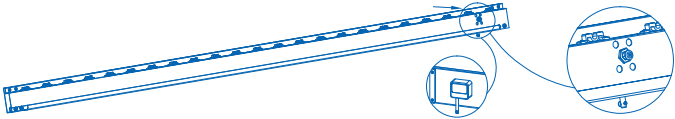
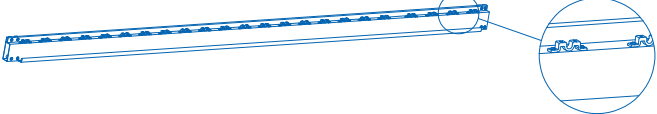

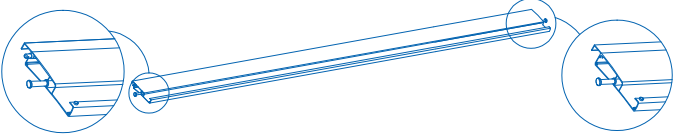
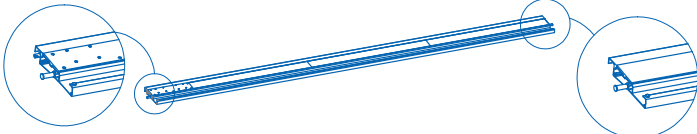
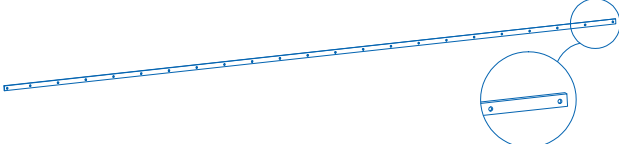

ASSEMBLY GUIDE

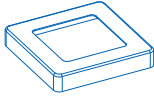
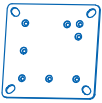

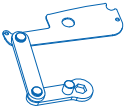
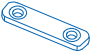
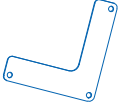







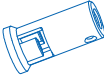











PARTS SUMMARY





	REF	QTY	REF	QTY	REF	QTY
Carton 1/4	(A1)	3PCS	(A2)	1PCS	(I)	4PCS
	(J)	4PCS	(K)	47PCS	(L)	1PC
	(M)	48PCS	(N)	4PCS	(O)	26PCS
	(P)	97PCS	(Q)	97PCS	(R)	14PCS
	(S)	26PCS	(V)	1PC	(W)	16PCS
	(X)	1PC	(Y)	2PCS	(Z)	1PC
	User Manual	1SET			(a)	1PC
	(b)	1PC	(c)	1PC	(d)	1PC
	(e)	20PCS	(g)	6PCS	(h)	2PCS
Carton 2/4	(B1)	1PC	(B2)	1PC	(C)	2PCS
	(G)	1PC	(H)	1PC	(f)	1PC
	(j)	3PCS	(m)	2PCS	(n)	2PCS
Carton 3/4	(D1)	12PCS				
Carton 4/4	(D1)	7PCS	(D2)	4PCS		



REF	PICTURE	QTY
A1		3PCS
A2		1PC
B1		1PC
B2		1PC
C		2PCS
D1		19PCS
D2		4PCS
G		1PC
H		1PC

REF	PICTURE	QTY
Ⓘ		4PCS
Ⓝ		4PCS
Ⓚ		47PCS
Ⓛ		1PC
Ⓜ		48PCS
Ⓝ		4PCS
Ⓞ		26PCS
Ⓟ	 M5x12mm	97PCS
Ⓠ	 4.2x25mm	97PCS

REF	PICTURE	QTY
Ⓡ	 5.5x19mm	14PCS
Ⓢ		26PCS
Ⓡ		1PC
Ⓢ		16PCS
Ⓧ		1PC
Ⓨ		2PCS
Ⓩ	 Ø12mm	1PC

REF	PICTURE	QTY
(a)		1PC
(b)		1PC
(c)		1PC
(d)		1PC
(e)		20PCS

REF	PICTURE	QTY
(f)		1PC
(g)	 4.8x13mm	6PCS
(h)		2PCS
(j)		3PCS

REF	PICTURE	QTY
(m)		2PCS
(n)		2PCS

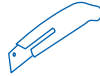
ASSEMBLY

STEP 1

Check that no parts are missing from the four boxes. Ensure you have the required tools and safety equipment shown in figure 1.



glove



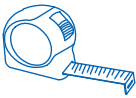
knife



hammer



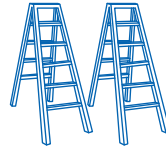
Safety hat



tapeline



electric screw driver



ladder

Figure 1.

STEP 2

Slide a collar (I) over the bottom of one of the post sections (A) as shown in figure 2, with the rounded part of the collar facing towards the top of the post. Position base plate (J) over the bottom of the post section and affix to the post using 6 bolts (O). Repeat this process for the other three posts.

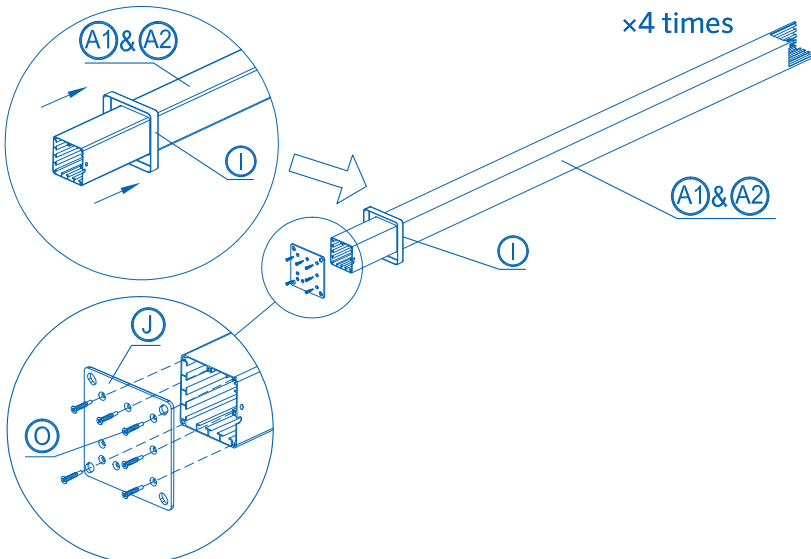


Figure 2.

STEP 3

To install the misting kit hose connector component, take the hose connector (a) and screw in regulator (b). Take the small plastic tube (c) and then connect into the L connector (d) and regulator (b). Once complete it should resemble figure 4.

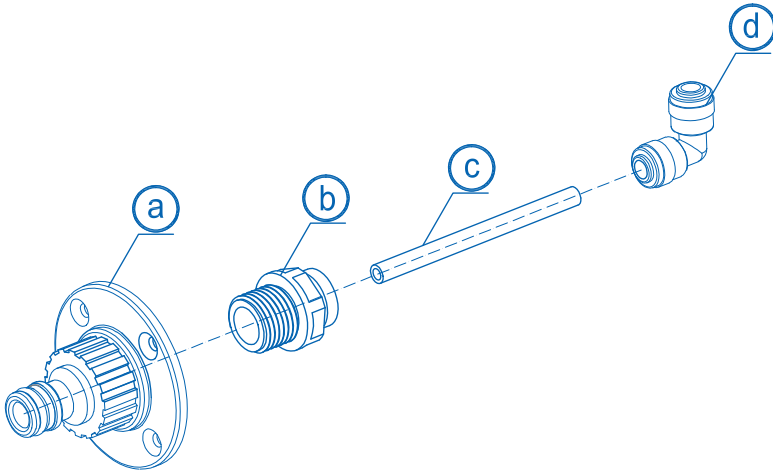


Figure 3.

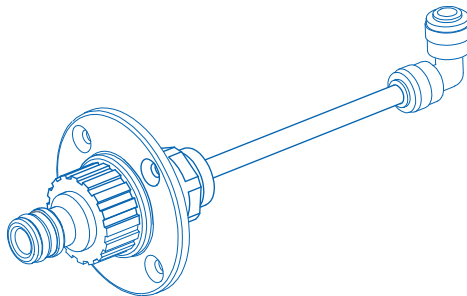


Figure 4.

STEP 4

Feed misting water tube (f) through the end of post (A2) until it comes through the top of the post. At the bottom of the post, attach the L connector (d) of the complete hose component to the water tube (f). Use screws provided (g) and attach the hose component to the post (A2).

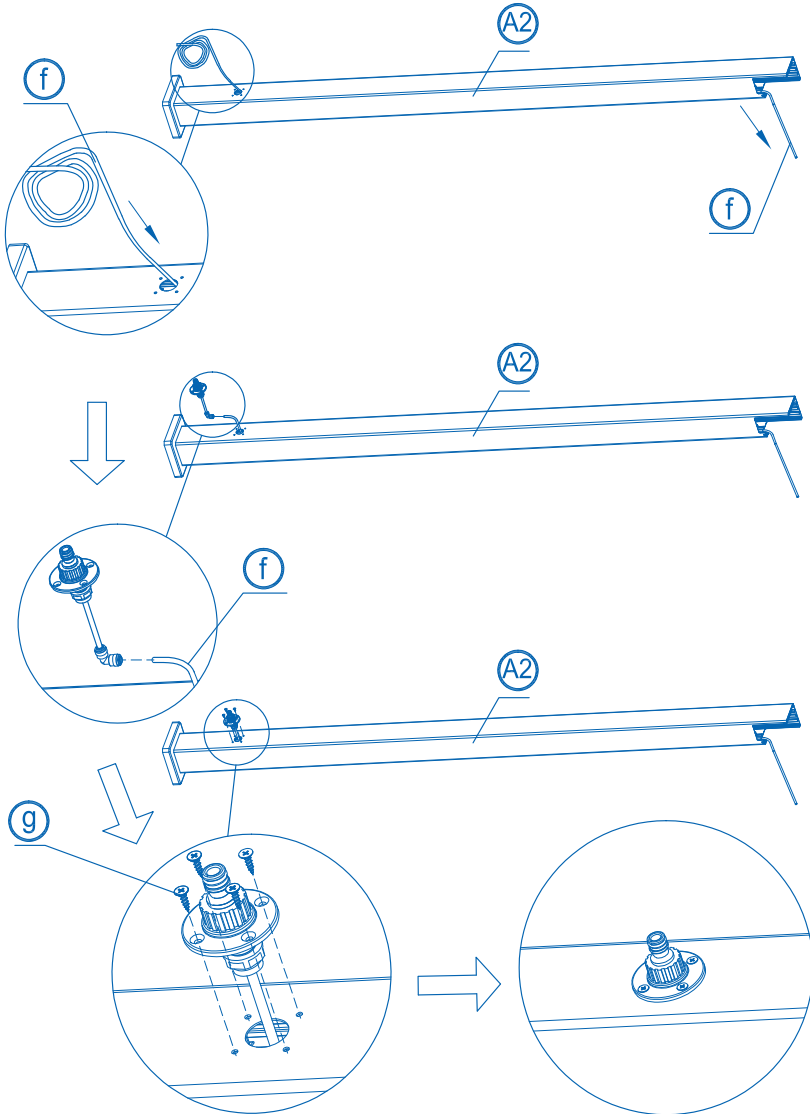


Figure 5.

STEP 5

Lay two of the post sections (A) on the ground as shown below. Take the (B1) rail and slide each end into position in the grooves along the top of the post sections. Use large allen key (Y) to affix the four screws on each corner.

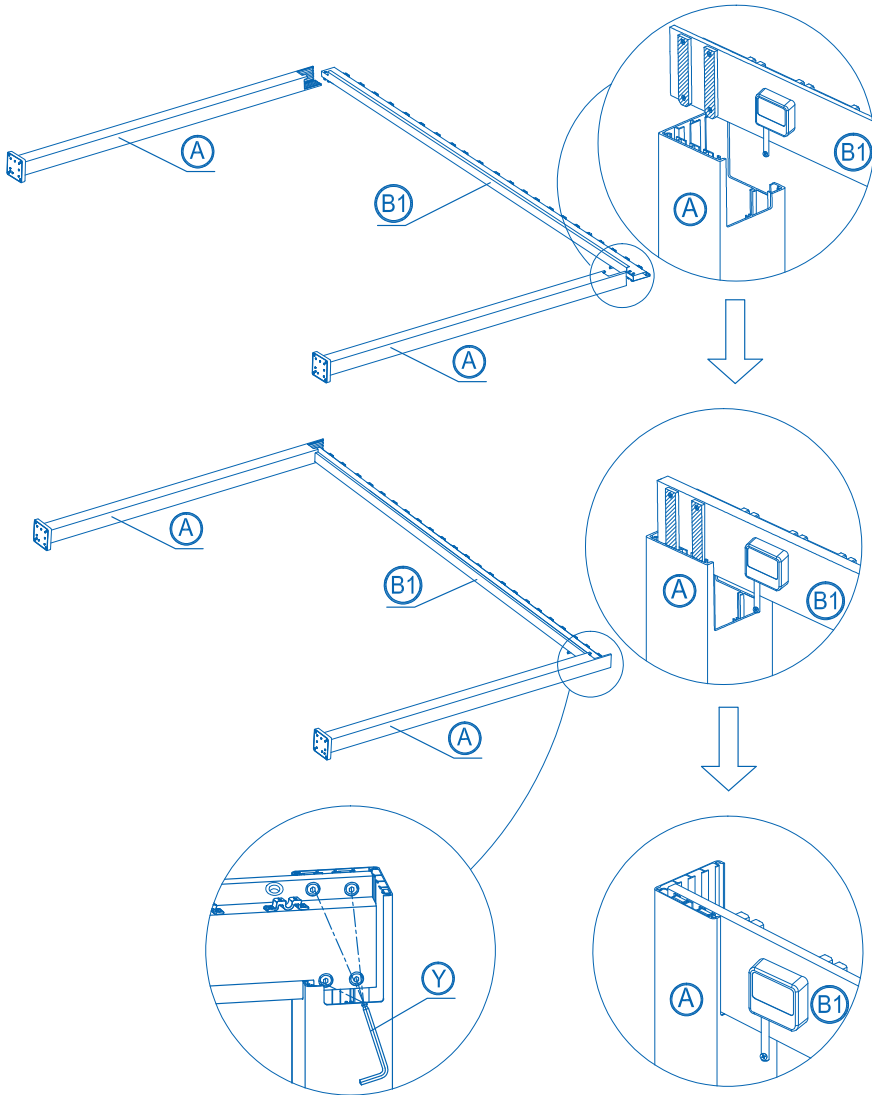


Figure 6.

STEP 6

Lay down the other two posts sections (A & A2) on the ground as shown. Take the (B2) rail and slide each end into position in the grooves along the top of the post sections, just like the previous step. Use large allen key (Y) to affix the four screws on each corner.

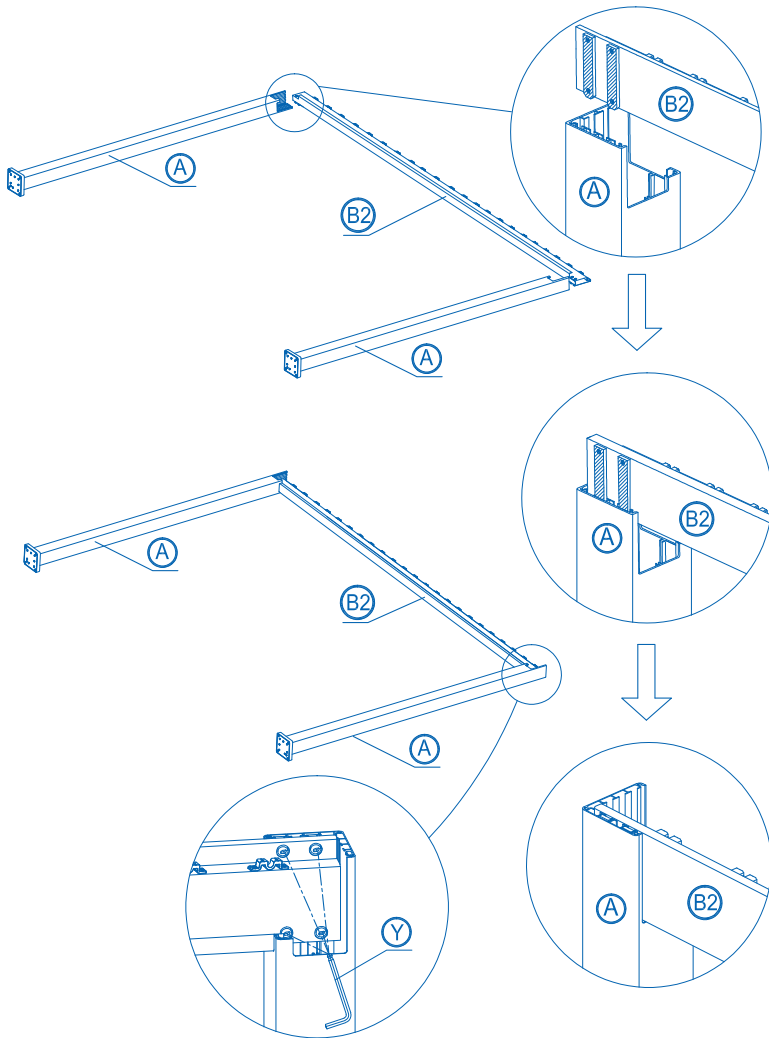


Figure 7.

STEP 7

Working with at least one partner and ensuring everyone is wearing a hard hat, set up two ladders. Lift up one side wall (made up of two posts and a rail) and raise one end of the beam (C) above the opening on the post section (A). Carefully slide the guides on the beam (C) down into the slots on the post section (A). Use large allen key to drive in four more screws.

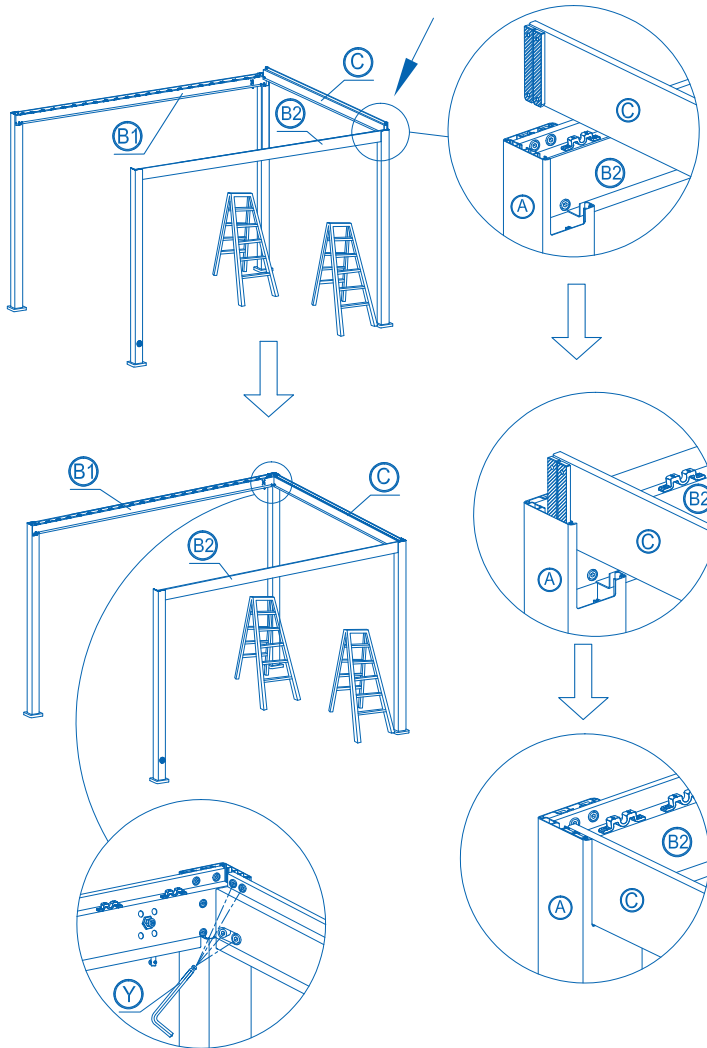


Figure 8.

STEP 8

Move the ladders to the other side of the structure. Install the other beam (C) onto the open end, using the same method as in Step 5.

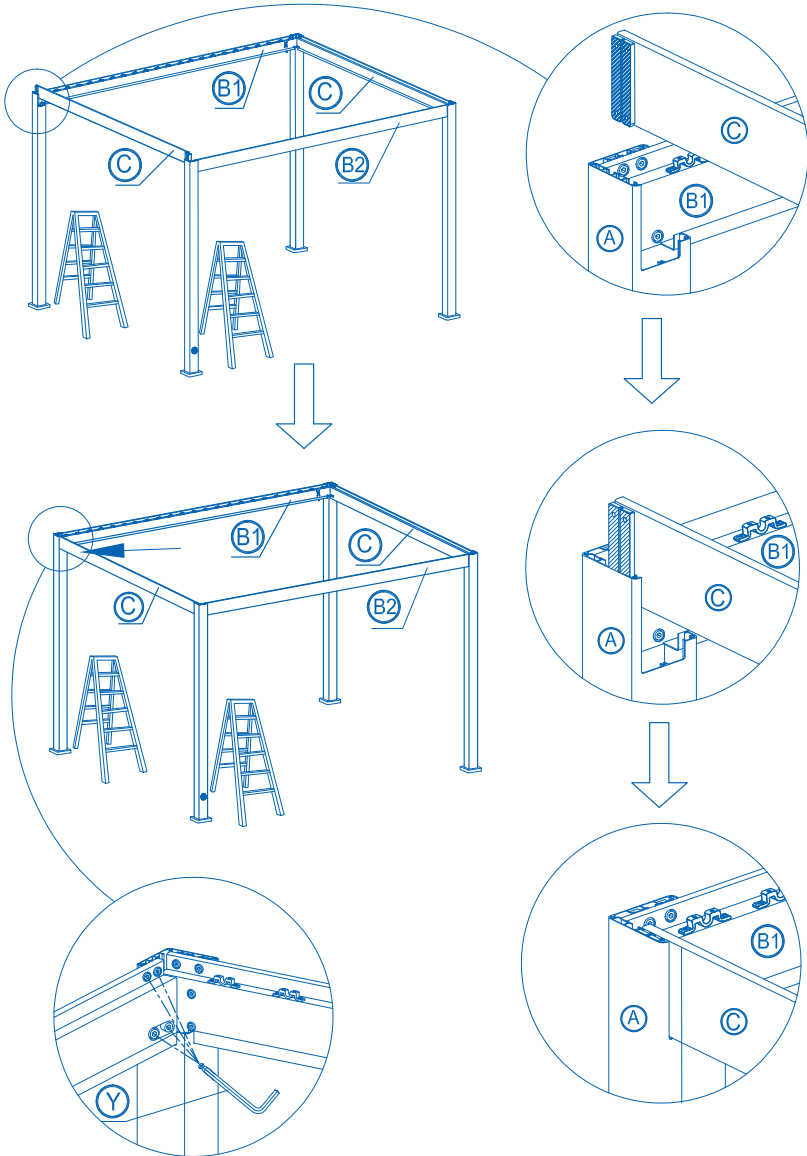


Figure 9.

STEP 9

Locate the corner along the B1 rail with the crank pin hanging down. Remove the screw from the crank pin temporarily. Slide the crank loop (V) over the pin, lining up the holes. Drive the screw through both parts. Insert the hook of the crank handle (H) through the crank loop (V).

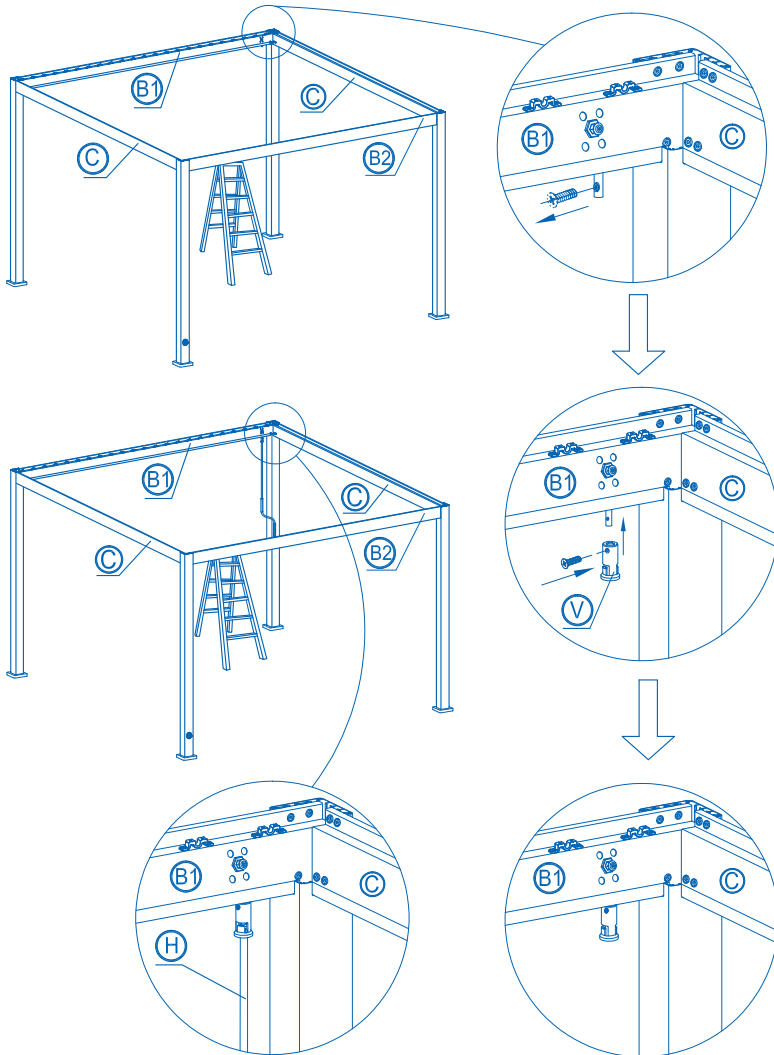


Figure 10.

STEP 10

To install misting jets, take the short length (n) and position over lip of beam on the 3m sides of the gazebo. Secure tightening wheel. Do not fully tighten. Complete step for longer lengths (m) on the 3.6m sides of the gazebo. Once all misting jet beams are in place, tighten all securing wheels.

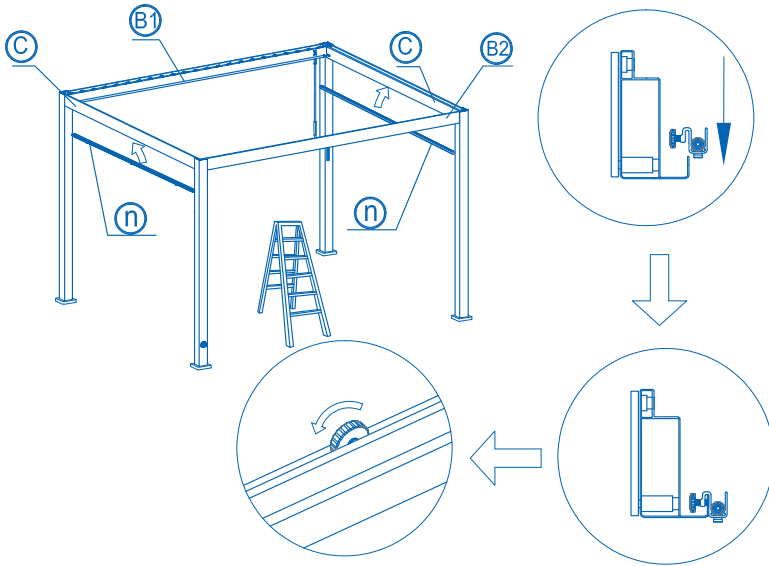


Figure 11.

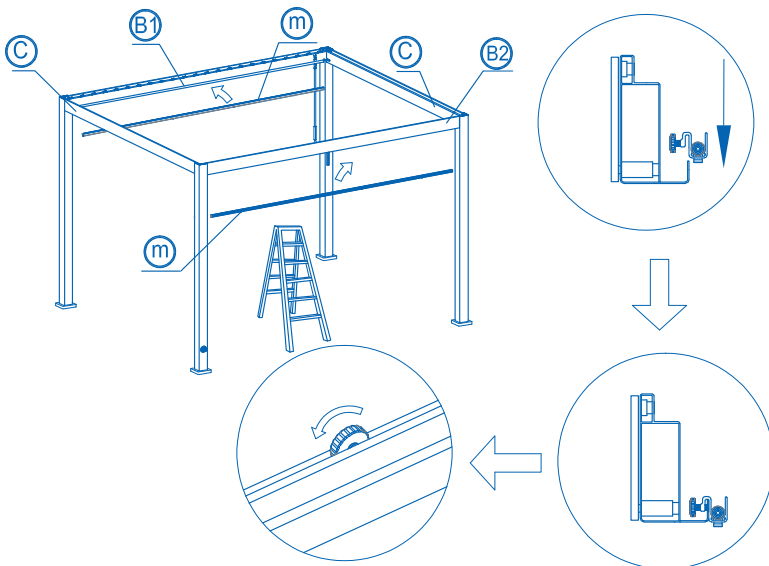


Figure 12.

Water flow diagram

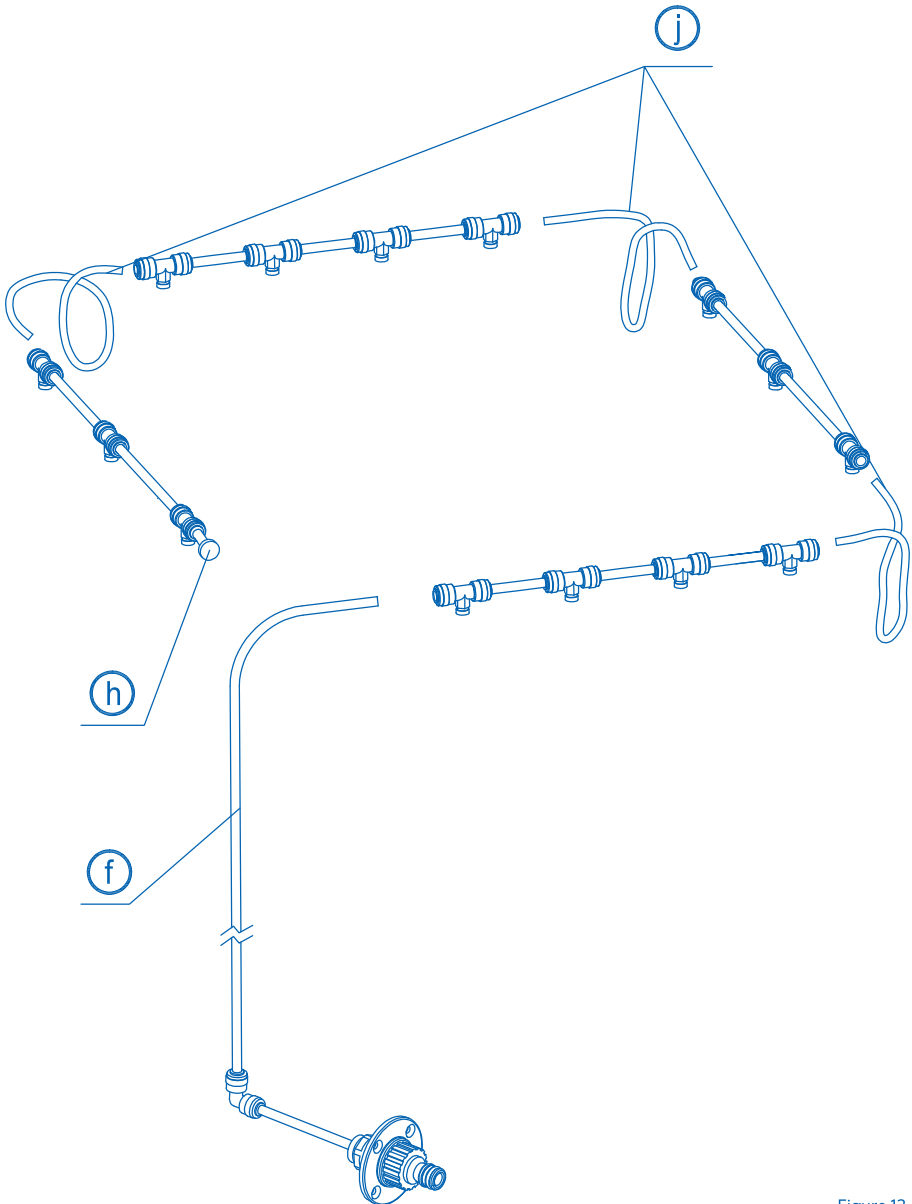


Figure 13.

STEP 11

Insert misting tube (f) into the first joiner of the (B) beam and then insert end cap (h) into the end of the opposite side (C). Note: follow water flow diagram (figure 13). Install water tube clips (e) to secure tubing.

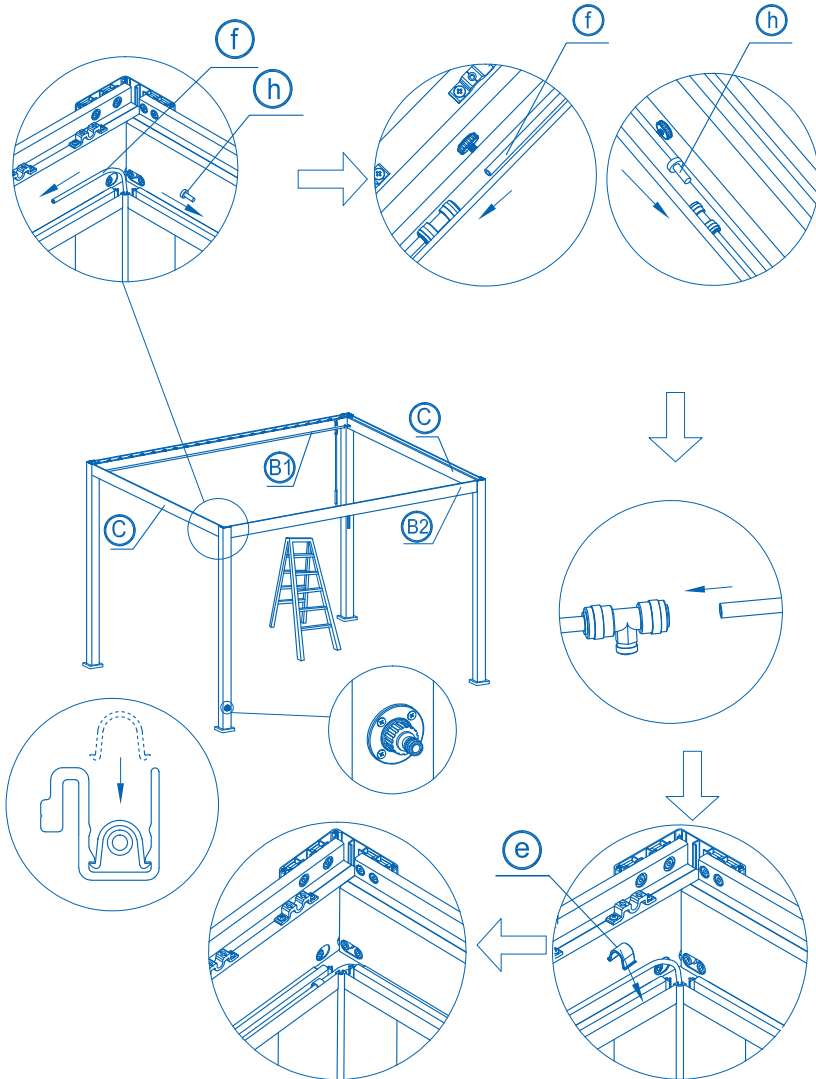


Figure 14.

STEP 12

Move around to remaining corners of the gazebo and insert the additional three water tubes (j) into each of the misting jet connectors located in each corner. Attach water tube clips (e) to secure tubes in place.

Insert pipe into the gap of post

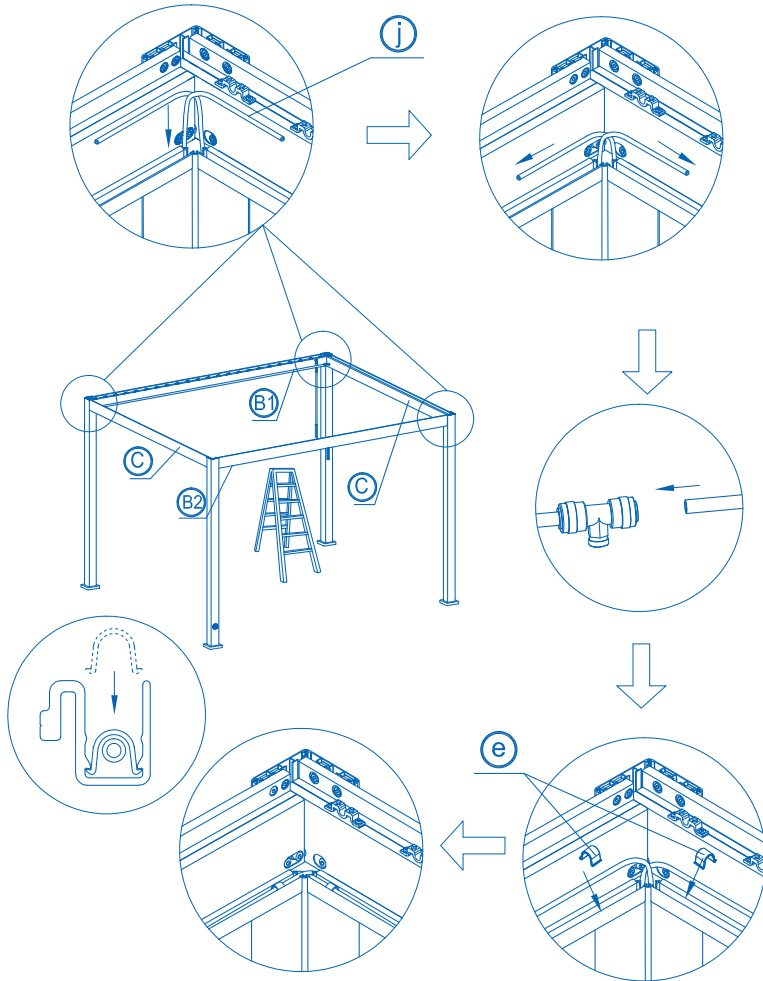


Figure 15.

STEP 13

Take one of the louvres (D) aside and position as shown below, with the large opening facing up and in front of you. Take the louvre arm plate (L) and position it on the inside of the left end of the louvre. Use two of the 18mm screws (Q) to affix the controller to the louvre.

Find one of the louvre plates (K) and position it on the inside of the right end of the louvre. Screw the plate in place using two more of the 18mm screws.

x1 time

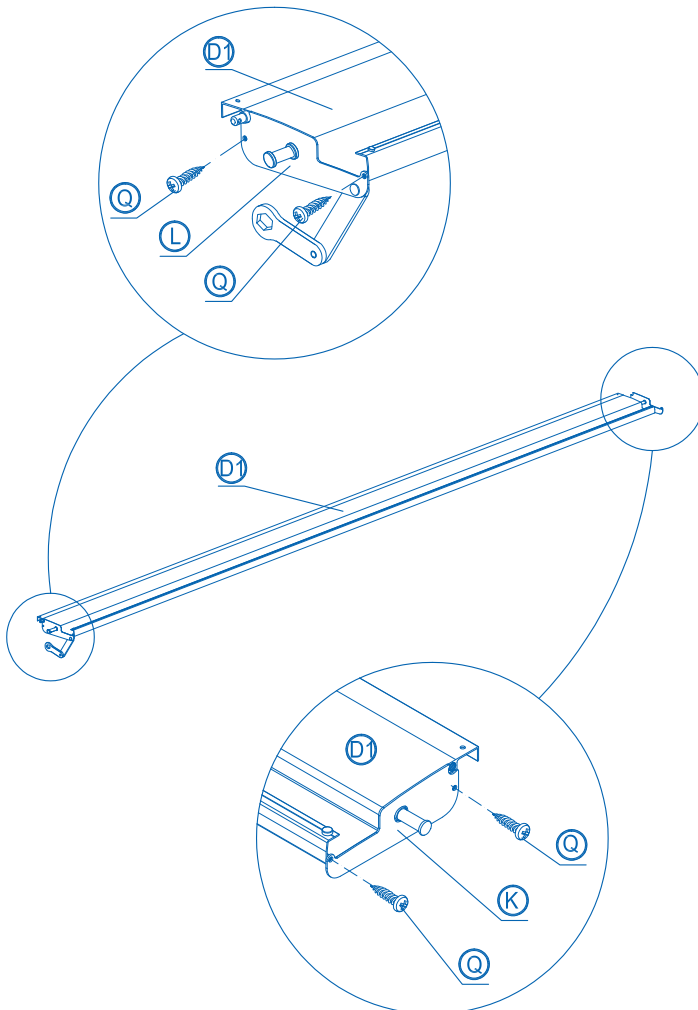


Figure 16.

STEP 14

Move this louvre to the top of the structure, lining up the louvre arm (L) with the crank socket on the B1 rail, just above the crank handle. Insert the crank bolt of the louvre arm into the crank socket. Insert the pin on this end of the louvre into the second hole position on top of the B1 rail. Place the pin on the other end of the louvre in the second slot position on top of the B2 rail.

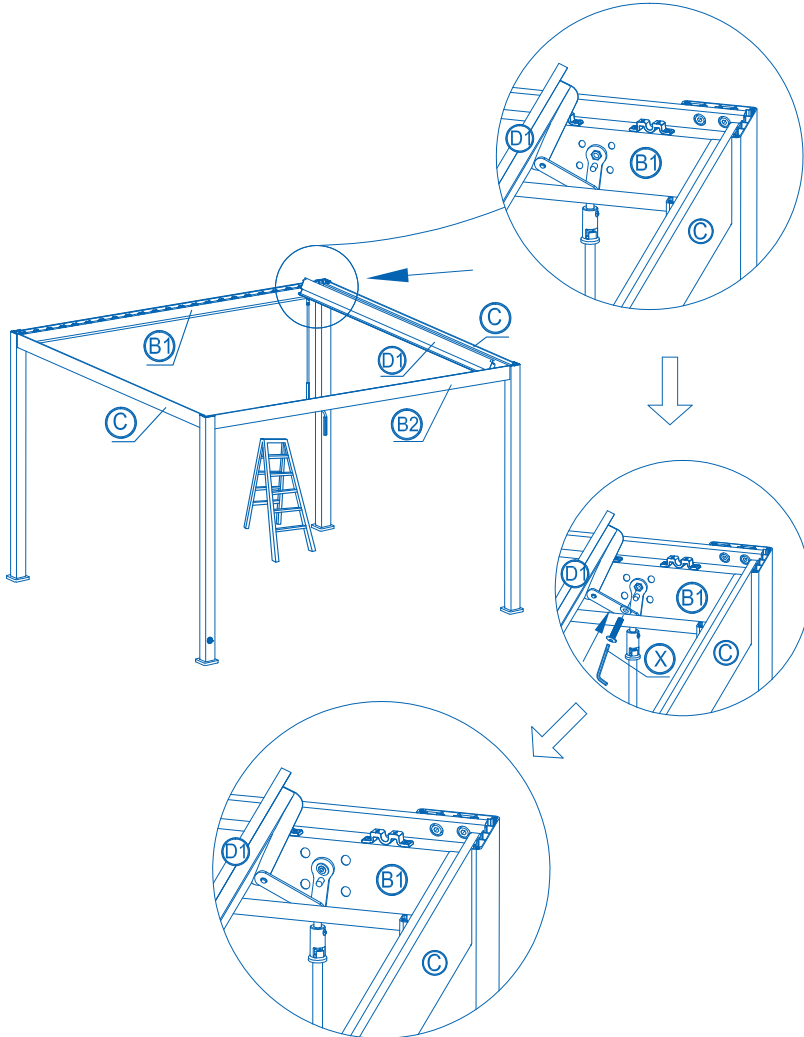


Figure 17.

STEP 15

Back on the other side where the crank handle is, secure the crank bolt from the louvre arm into the socket on the B1 rail using an M6 bolt (U) and washer (T). Tighten with the small allen key (X). Secure louvre in position on each side with screws (P) and louvre pin cover plate (M).

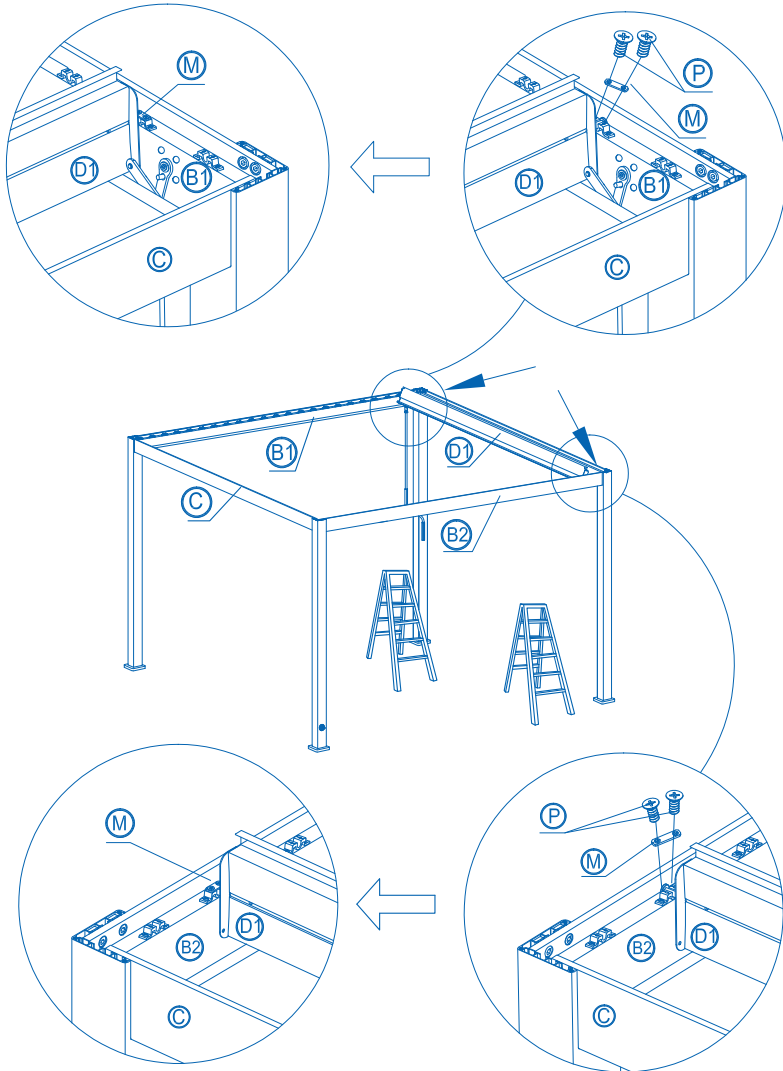


Figure 18.

STEP 16

For each of the remaining 22 louvres, position a louvre plate (K) on the inside of each end. Affix each of the plates into place using two 19mm screws (Q).

×18 times

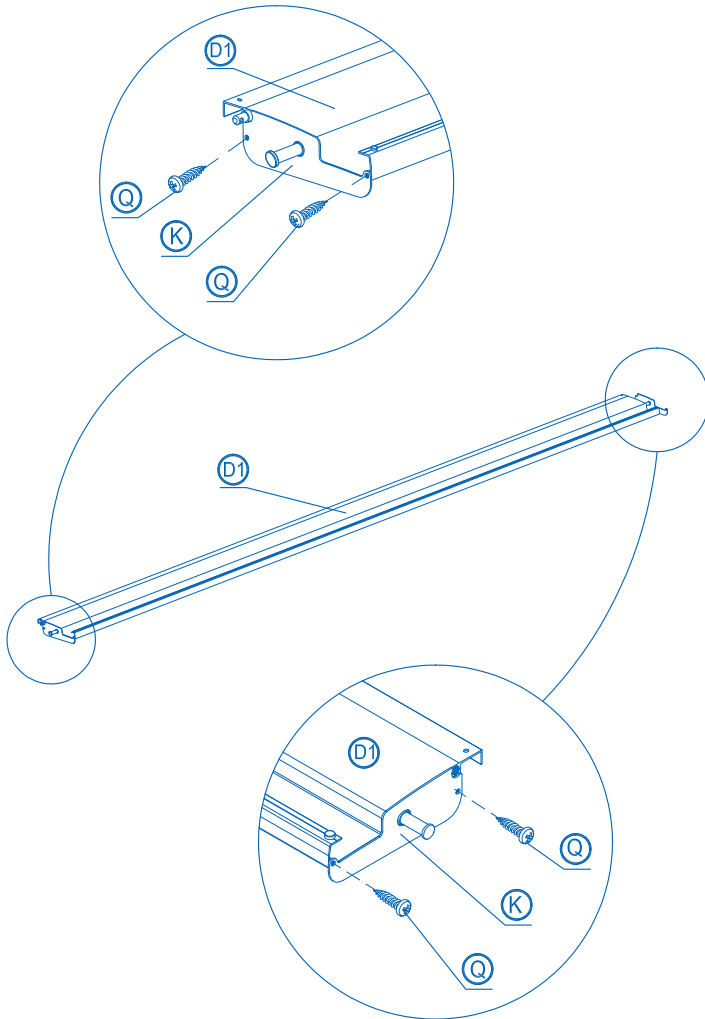


Figure 19.

STEP 17

Connect solar power cable connector and battery pack power cable connector. Press the remote control for three seconds to check whether the light belt lights up. Complete this step for all four solar power louvres.

×4 times

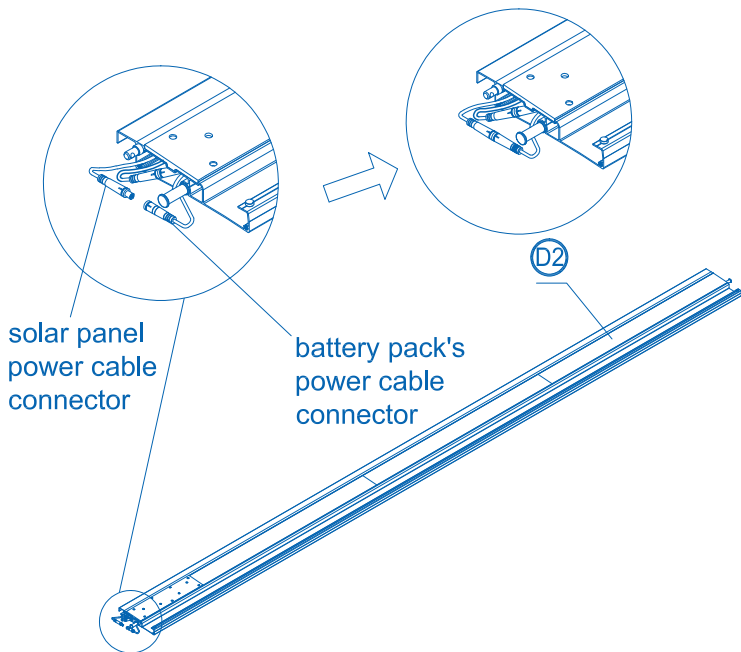


Figure 20.

STEP 18

Once solar LED cables are connected, attach louvre end plate with screws.

Note: Solar powered louvres can be positioned anywhere within the gazebo and are suited to your preference.

×4 times

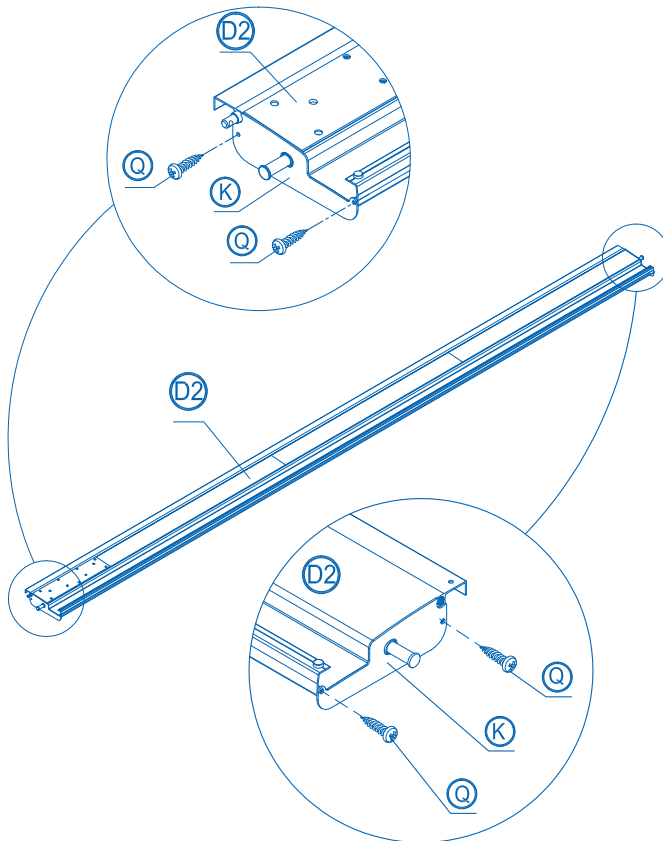


Figure 21.

STEP 19

Install the remaining 22 louvres in the same way as before. Ensure each louvre is in the same orientation, insert the pin on one end of the louvre into the cradle on the B1 rail, place the other pin into the cradle on the opposite end and screw down the small cover (M) with two M5 screws (P). Note: Ensure you choose your preferred position of the four LED louvres.

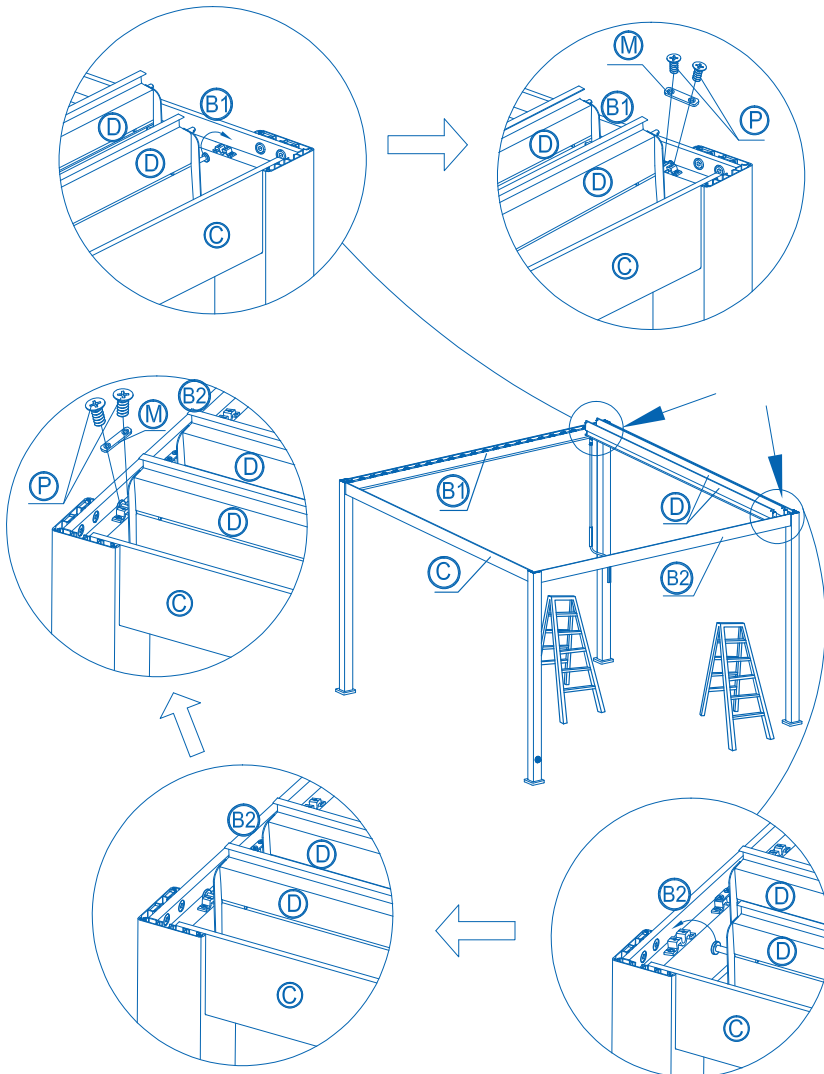


Figure 22.

STEP 20

Carefully twist the crank handle to ensure the louvre already installed in the second position is rotating correctly (note, the louvre in the first position is designed to remain closed). Rotate the louvre and leave it open in a vertical position.

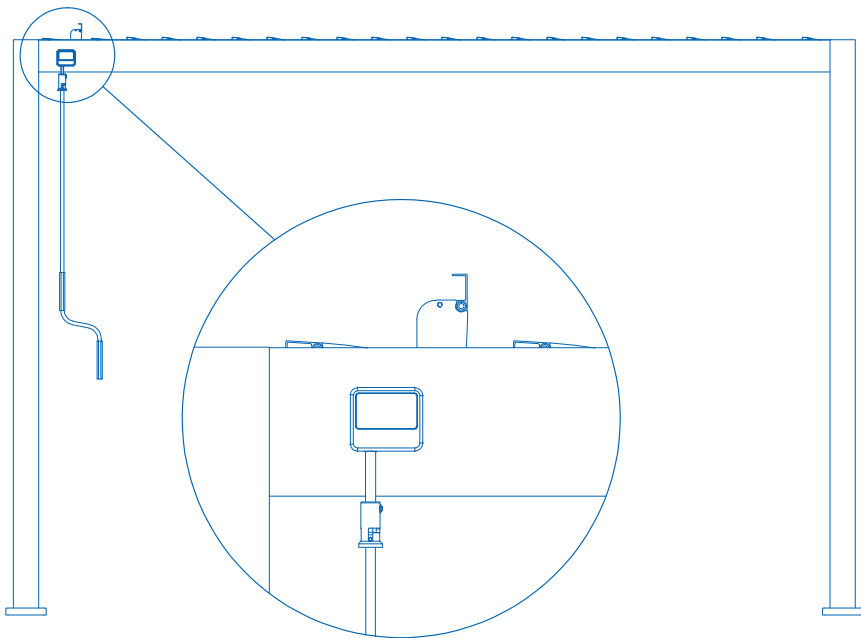


Figure 23.

STEP 21

Once all louvres are correctly installed, take the louvre guide rail (G) and line up the holes with the free louvre pins on the crank handle side. Put the louvre guide rail over the pins as shown below. Push the straight section of a split pin (S) through the small hole of each pin protruding through the guide rail.

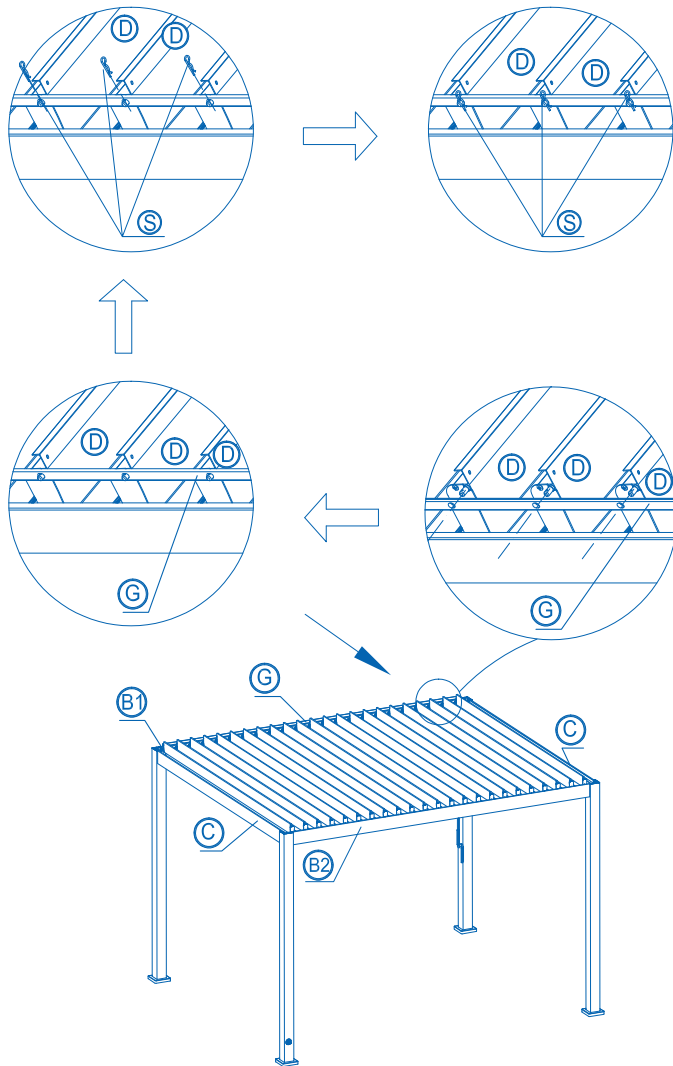


Figure 24.

STEP 22

Position a right-angle plate (N) on top of one of the corners. Use three 19mm screws (R) to affix it to the place. Repeat for the remaining corners.

×4 times

×4 times

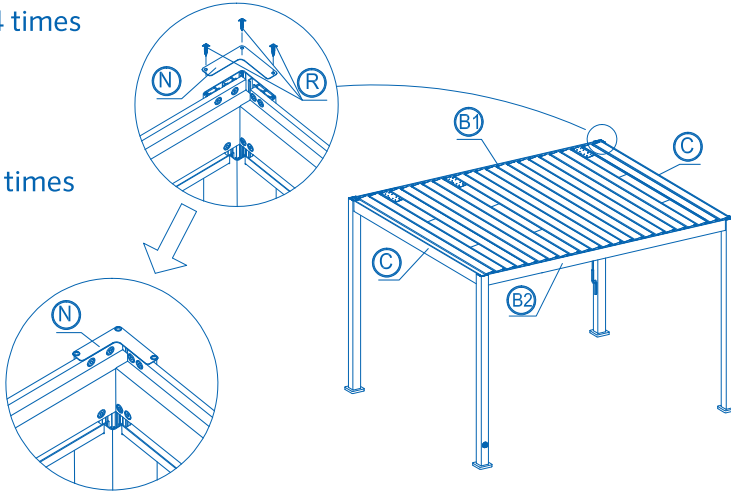
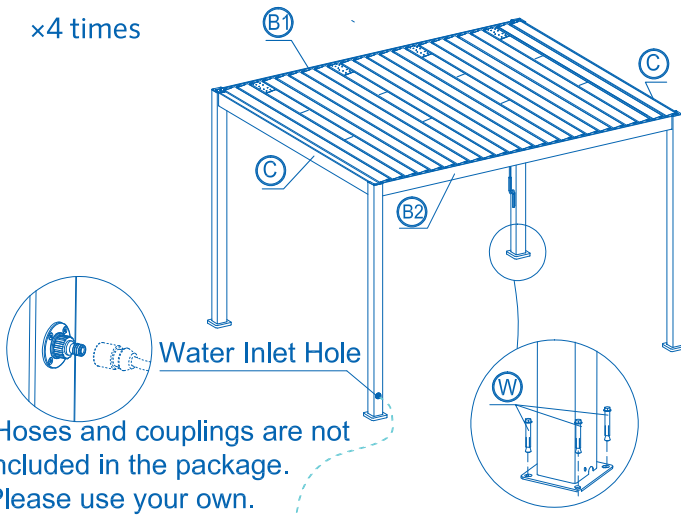


Figure 31.

STEP 23

Secure the feet of the gazebo to the ground. For a hard surface such as concrete or tile, drill holes into the surface through the holes in the feet and install the supplied anchor bolts (W). For other surfaces, use another suitable fastener to secure the gazebo down. Note: The gazebo must be secured to the ground.

×4 times



Hoses and couplings are not included in the package. Please use your own.

Figure 25.

STEP 24

Open the remote control cover and insert 2 x AAA batteries.

Once inserted close cover.

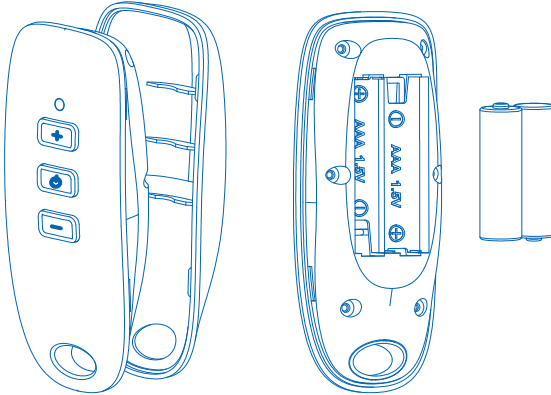


Figure 26.

STEP 25

To turn on LED lights, press the plus + button. To increase light intensity press + button a second time.

To turn lighting down, press - button.

To turn lighting off, press O button.

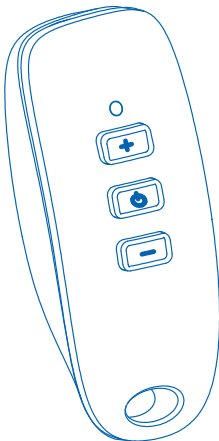


Figure 27.

WARNING: Never leave gazebo unattended with louvres in the closed position.

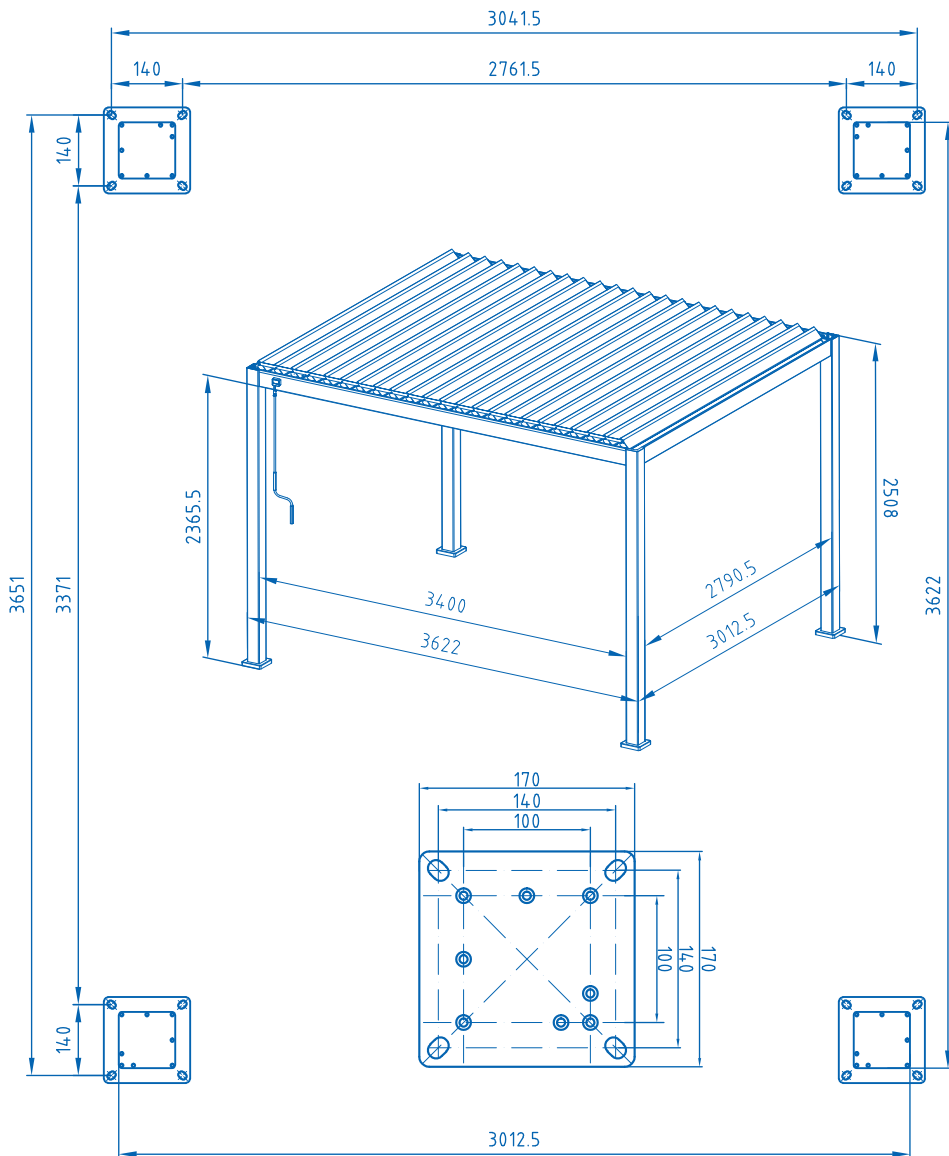


Figure 28.

MISTING SYSTEM MAINTENANCE

When not in use, detach the hose from the post and allow the water to drain completely. This will prevent water contamination.

From time to time, misting jets can become obstructed with dirt and will prevent an even flow of fine mist water. Follow the steps below will assist in clearing the jets.

STEP 1

Flushing the misting system — Always flush the misting system before use. If the misting jets have not been in operation for more than one month, flush for a period of five minutes.

If you find your misting jets are dribbling water and not misting, remove all jets, connect the water hose and run for a few minutes. This will assist in clearing all dirt from the water tubing and flushing the system and prevent the jets from becoming clogged up. If you find your misting jets continue to dribbling water, you may need to clean the jet nozzles.

STEP 2

Cleaning Jets — To clean nozzles, unscrew from gazebo and soak in a solution of CLR or a similar calcium remover. It is recommended to follow this process a few times a year to prevent a build up of calcium and iron build up.

PRODUCT WARRANTY AND LIMITATION OF LIABILITY

Coolaroo products are manufacture by Gale Pacific Limited ACN 082 263 778 (Gale). Gale provides the following warranty in relation to Coolaroo products ("Product").

The benefits of this warranty are in addition to any rights and remedies imposed by Australian Consumer Law, NZ Consumer Guarantees Act 1993, and state and federal legislation that cannot be excluded. Nothing in this warranty is to be interpreted as excluding, restricting or modifying any applicable legislation to the supply of goods and services which cannot be excluded, restricted or modified.

WARRANTY

Gale warrants that, subject to the exclusions and limitations below, all parts of the manufacture and assembly of the Product will be free from defects in materials and workmanship for a period of five (5) years for the frame and one (1) year for the parts from the date of purchase.

If a defect appears in the Product before the end of the warranty period and Gale finds the product to be defective in materials or workmanship, Gale will, in its sole discretion, either:

- a) replace or repair the Product or the defective part of the Product free of charge; or
- b) refund the purchase price of the Product.

Gale reserves the right to replace defective parts of the Product with parts and components of similar quality, grade and composition where an identical part or component is not available.

The warranty will not apply where:

- a) the Product has been altered or modified by someone other than Gale or its authorised agent;
- b) the alleged defect in the Product is within acceptable industry variances;
- c) Gale cannot establish any fault in the Product;
- d) the defect in the Product has arisen due to the customer's failure to install and use the Product in accordance with the instructions provided;
- e) the defect in the Product has arisen due to the customer's request to customise the Product;
- f) the Product has been subject to abnormal conditions, including environment, temperature, water, fire, humidity, pressure, stress or similar.

The warranty does not extend to:

- a) damage or defects caused by normal wear and tear,
- b) water or sun damage; or
- c) any other damage caused by the customer placing other equipment, furniture or material in close proximity to the Product.

Gale makes no express warranties or representations other than set out in this warranty.

The repair or replacement of the Product or part of the Product is the absolute limit of Gale's liability under this express warranty.

WARRANTY CLAIMS

- 1) Upon purchasing the Product, the customer must register their warranty by completing the Coolaroo online warranty registration at www.coolaroo.com. Alternatively, the customer can contact Coolaroo Customer Service on 1800 331 521 (AU) or 0800 555 171 (NZ) for assistance.
- 2) If a fault covered by warranty occurs, the customer must contact Gale using the contact details provided.
- 3) Any warranty claim must be accompanied by proof of purchase and details of the alleged defect.
- 4) The customer must bear the cost of the transport of the Product to and from Gale or the authorised agent to make the warranty claim, and all insurance of the Product.

AUSTRALIAN CONSUMER LAW

Nothing in this agreement is intended to have the effect of contracting out of any applicable provisions of the Competition and Consumer Act 2010 or the Fair Trading Acts in each of the States and Territories of Australia, except to the extent permitted by those Acts where applicable.

This warranty is not transferable, and applies only to the initial purchaser of the installed Product.

In addition to the above warranty, Australian Consumer Law and other state and territory legislation may imply warranties or conditions or impose liability on Gale in relation to the Product or its supply which cannot, or can only to a limited implied warranties or conditions and such liability, and for the warranty described above:

- a) all warranties and conditions (whether express or implied, statutory or otherwise) relating to the Product or its supply are expressly excluded; and
- b) Gale will not be liable for any loss or damage suffered by any person (including the purchaser of the Product) in any way relating to or arising from the Product or its use (including loss or damage arising from the negligence of, or contributed to by, Gale).

If liability for breach by Gale of a warranty or condition or any other liability imposed on Gale by legislation which cannot be excluded may be limited, Gale's liability is limited to the extent permitted by law, and if liability may be limited in any one of a number of ways, Gale's liability is limited in any one of the permitted ways chosen by Gale in its absolute discretion.

The Purchaser acknowledges that the Purchaser does not rely on the skill or judgment of Gale as to whether or not the Products are fit for any particular purpose.

The Purchaser indemnifies Gale from every liability, loss, damage, cost or expense directly or indirectly incurred or suffered by Gale caused by or contributed to by the Purchaser's failure to:

- 1) adequately provide or display safety markings or safety information on or with the Products;
- 2) comply with any law about the Products or their use;
- 3) take any reasonable precaution to bring to the attention of any potential users of the Products any dangers associated with Products;
- 4) any negligence or breach of duty by the Purchaser or any breach by the Purchaser of these terms.



THANK YOU FOR PURCHASING A COOLAROO PRODUCT

Exposure to ultraviolet (UV) radiation from the sun is the major cause of skin cancer. In some countries the UV radiation is strong enough to cause sunburn in just 11 minutes on a fine summers day. To prevent sun damage we recommend following the Sun Smart steps: slip on clothing, slop on sunscreen, slap on a hat, slide on sunglasses and seek shade.

To register your product go to coolaroo.com.au. The product code can be found printed above the barcode on the product packaging, alternatively you can find it on the relevant coolaroo.com.au product page.

ATTENTION: The schematics in this manual are for assembly and operation illustration only. They may differ from the gazebos actual appearance.

coolaroo.com

WARNING

When assembling and using this product, safety precautions should always be followed to reduce the risk of personal injury and damage to equipment. Please read all instructions before assembly and use.

At least two or more people are recommended for safe assembly.

Keep all children and pets away from assembly area.

Check all nuts and bolts for tightness before and during usage.

Non permanent structure. Do not use in extreme weather conditions including heavy rain or high winds.

Do not leave the gazebo unattended. Louvres must remain in the open position when not in use.

Do not place the product near an open flame; or too close to any heat source.

For help with product assembly or for any other questions you may have, contact our Customer Service Department.

Item Code: 498887

Australia toll free: 1800 331 521
New Zealand toll free: 0800 555 171



Gale Pacific Limited
145 Woodlands Drive, Braeside,
Victoria 3195 Australia

Coolaroo is a registered trademark
of Gale Pacific Limited

MADE IN CHINA

