



FAIRHAVEN Motorised 3x4m Gazebo

ASSEMBLY GUIDE

THANK YOU FOR PURCHASING OUR FAIRHAVEN MOTORISED



This manual will provide you with clear and detailed instructions on how to safely and correctly assemble and maintain your gazebo, to ensure it brings you many years of use and enjoyment.

IMPORTANT: RETAIN FOR FUTURE REFERENCE: READ CAREFULLY

Warning: Important safety instructions. It is important for the safety of persons to follow these instructions. Please keep these instructions in a safe place.

This product can be used by children ages from 8 years and above and persons with reduced physical, sensory or mental capabilities or lack of experience and knowledge if they have been given supervision or instruction concerning use of the product in a safe way and understand the hazards involved. Children shall not play with the product. Cleaning and user maintenance shall not be conducted by children without supervision of an adult.

Intended use

This gazebo is intended for outdoor domestic use in residential environments, and to protect users from direct sunlight, glare and heat. Any use or modification to the gazebo not included in this manual shall be considered as improper use, which may cause considerable danger to users and property and will void the product warranty.

Attention: The schematics in this manual are for assembly and operation illustration only. They may differ from the gazebos actual appearance.

⚠ WARNING

- When assembling and using this product, safety precautions should always be followed to reduce the risk of personal injury and damage to equipment. Please read all instructions before assembly and use.
- At least two or more people are recommended for safe assembly.
- Keep all children and pets away from assembly area.
- Check all nuts and bolts for tightness before and during usage.
- Non permanent structure. Do not use in extreme weather conditions including heavy rain or high winds.
- Do not leave the gazebo unattended. Louvres must remain in the open position when not in use.
- Do not place the product near an open flame; or too close to any heat source.

TABLE OF CONTENTS

- Before Assembling Your Gazebo	7
- Important Safety Advice	10
- Technical Data	13
- List of Parts	14
- Assembly	16
- Operation of Your Coolaroo Fairhaven Gazebo	36
- Problem Solving, Care & Maintenance	38
- Product Warranty & Limitation of Liability	41
- Disassembly & Disposal of the Product	42
- Certification Information	43

BEFORE ASSEMBLING YOUR GAZEBO

WARNING: Important safety instructions. Follow all instructions, since incorrect assembly can lead to severe injury.

Make sure you have all the tools required for assembling your gazebo:

In order to assemble your gazebo safely and correctly, please ensure you have access to the following tools and accessories, all of which are not provided.



Hard hats



Protective gloves



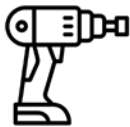
Phillips screwdriver



Tape measure



Leveler



Cordless screwdriver



Hexagonal spanner/
wrench set



Hammer drill



Hammer



2 Stepladders

Check to ensure there are no missing parts:

Before you begin assembly, please check that you have all the parts required to assemble your e-Motion. Please also carefully check that the quantity of parts match with that of the model you have purchased.

If any parts are missing, please refer to the **Warranty & Complaints Procedure** to contact customer service before beginning the assembly.

Prepare the parts you will need for each step:

In the **Assembly** section of the manual, each step indicates the necessary parts and quantities required to complete the step. We recommend that you prepare the parts you will need for each assembly step. Doing this will save you time and effort during assembly. If possible, place the parts on cardboard or other soft surface to protect from scratching the painted surfaces.

Select a suitable location:

The ground should be solid and flat	The ground should be level	Sufficient water drainage	Easy access to power	No overhanging trees and powerlines

Warning:

Most terraces or patios are designed with a slight slope to prevent (rain) water from forming pools or reaching the house or other structures. For the perfect gazebo installation, a level concrete surface without such a slope is required. Small pebbles could also prevent the gazebo from being safely secured on the ground.

If the gazebo is installed on an uneven surface, it may prevent accessory components from working correctly and may void the product warranty.

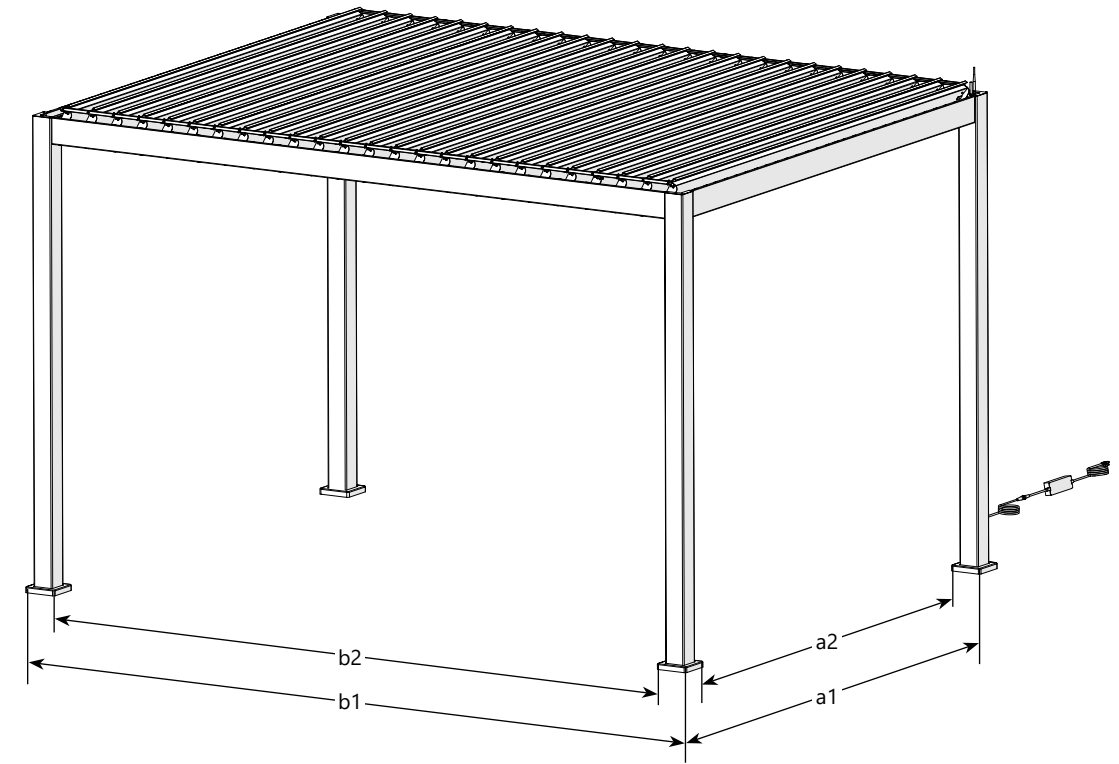
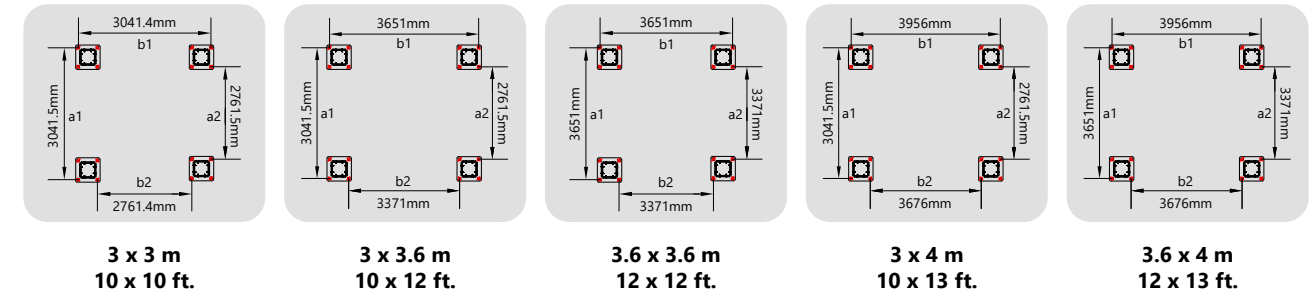
Prepare a foundation:

To prepare it, you need to:

- check for underground pipes and cables (Call 811 before you dig if you live in the USA)
- check with your local authorities regarding any building permits that may be required
- contact a reliable contractor to have concrete base if you dont have one

Do not assemble the gazebo on sandy, muddy or loose soil, as the stakes do not have the sufficient anchorage to be installed in these types of soil.

Construction drawing:



IMPORTANT SAFETY ADVICE

For the safety of all persons assembling and using the gazebo, it is important to follow the safety guidelines below.







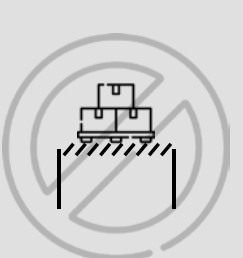





The gazebo must be positioned and fixed on flat level surface.	Always wear appropriate work shoes, gloves and eye protection when working.	Work well away from power lines, particularly when handling metal parts.	If using power tools or a ladder, always follow the manufacturer's safety instructions.

Make sure the gazebo complies with local building regulatory codes.	Working at heights can be dangerous. Always wear protective clothing to prevent injury in the event of a fall.	Only use ladders and scaffolding with a sufficiently high load bearing capacity.	Before installing the drive, remove any unnecessary cords and disable any equipment not needed for powered operation.

Hazardous unprotected moving parts of the drive shall be installed higher than 2.5m above the floor or other level that could provide access to it.	Keep clothing and body parts away from the gazebo to prevent them from getting caught in the moving parts.	Foliage or other foreign objects on the louvers and in the guide rails should be removed regularly, to prevent damage to the gazebo.	Put the louvers into the vertical position during snowfall or wind to avoid damage.

Only use replacement parts that are approved by the manufacturer.	Electrical installation may only be carried out by certified personnel according to the applicable regulation. (e.g. VDE 100 for Europe)	Make sure all electrical connections are disconnected from the mains during installation.	Fairhaven motorised gazebos should only be connected to power sources that have been installed by a licensed electrical contractor.

The gazebo should only be remote controlled when you have a full view of the moving parts.	Installation of non-Coolaroo branded accessories will void the product warranty and can damage the operating mechanism.	Repeated open-close operations may cause the motor to enter overheat protection mode. It will resume normal operation once the temperature decreases.	Dispose of all plastic bags safely. Keep them out of the reach of children.

Keep children and pets away from the assembly area until the work is completed.	Changes to the design or configuration of equipment may not be made without consulting the manufacturer or authorized representative.	Prior to each operation, visually check the gazebo for damage. If damage is visible, stop using it immediately and contact authorized personnel to repair the damage.	If the supply cord is damaged, it must be replaced by the manufacturer, its service agent or similarly qualified people in order to avoid a hazard.
			
Do not climb on the louvers.	Do not attempt to assemble the product if you are tired, or after consuming alcohol.	Do not place anything on the louvers.	Do not attempt to assemble the gazebo in windy or wet conditions.
			
Do not start the roof mechanism in case of frost or ice build-up, as it may damage the drive of the louvers.	Do not allow children to contact the fixed controls. Keep remote controls away from children.	Hanging objects on the gazebo may cause serious damage and is not permitted.	Hot items such as recently used grills, fire pits etc. must not be stored under or close of the gazebo.
			

TECHNICAL DATA

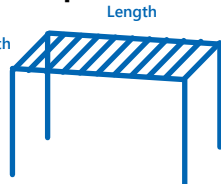
Gazebo	Continuous Operating Cycle	10 cycles
	Sound Pressure Level	≤70 dB
	Ingress Protection Rating	IPX5
	Wind Resistance	Class 6 (Claimed Beaufort Wind Force Scale 12)
Linear Actuator	Product Standby Power	<2W
	Input Voltage	24V DC
Control Box	Ingress Protection Rating	IP66
	Input Voltage	24V DC
	Output Voltage	24V DC
Light LED Strip	Ingress Protection Rating	IPX5
	Input Voltage	24V DC
	Wattage Per Meter	11W
Power supply	Ingress Protection Rating	IP68
	Input Voltage	110 to 240V
	Maximum Power	350VA
Control	Control Method	Remote Control + App Control
	LTE Frequency band	B1, B3, B7, B8, B20, B28A, B38, B40
	LTE Max Transmit power	23dBm±2dBm
	GSM frequency band	EGSM900 and DCS1800
	GNSS	1559-1610MHz
	Remote control frequency band	2400MHz~2483MHz
	Remote control Max Transmit power	0dBm
Data Center	North America	West Coast: Oregon
		East Coast: Virginia
	Europe	Sweden
		Amsterdam
		Frankfurt

LIST OF PARTS

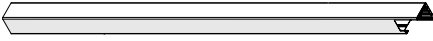
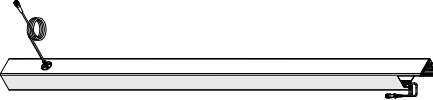





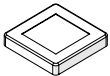
Please carefully check that the quantity of parts matches with that of the model you have purchased.

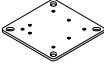

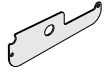



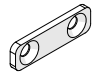

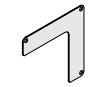
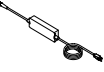












PLEASE NOTE that the anchor bolts provided may not be suitable for your chosen installation location. Please check before proceeding.

DO NOT USE AN IMPACT CORDLESS SCREW DRIVER TO ASSEMBLE THE GAZEBO. USE A STANDARD CORDLESS SCREW DRIVER ON THE BASE SETTING. ALL HOLES HAVE BEEN PREDRILLED OR FITTED FOR ASSEMBLY.



*Extra spare parts included

REF	Part name	Length		
		3m/10ft.	3.6m/12ft.	4m/13ft.
A	 Standard corner pillar	3	3	3
A2	 Cabled corner pillar	1	1	1
B1	 Side beam with motor	1	1	1
B2	 Side beam without motor	1	1	1
C	 End beam	2	2	2
D	 Louver	19	23	25
G	 Connecting strip	1	1	1
I	 Foot plate cover	4	4	4

REF	Part name	3m 10ft.	3.6m 12ft.	4m 13ft.	REF	Part name	3m 10ft.	3.6m 12ft.	4m 13ft.
J	 Foot plate	4	4	4	W	 Anchor bolt M8x80mm	16	16	16
K	 Louver end cap	37+2*	45+2*	49+1*	X	 Hex key S4	1	1	1
L	 Louver end cap with control arm	1	1	1	Y	 Hex key S6	2	2	2
M	 Shaft support cover	38+2*	46+2*	50+2*	Z	 12mm SDS Plus Drill Bit	1	1	1
N	 Corner pillar cover	3	3	3	Z4	 Power supply	1	1	1
N2	 Corner pillar cover (logo)	1	1	1	Z5	 LED light strip	2	2	2
O	 Screw ST5.65x45mm	24+2*	24+2*	24+2*	Z6	 Remote control	1	1	1
P	 Screw M5x12mm	76+4*	92+5*	100+5*	Z7	 2.4G and 4G Antenna	1	1	1
Q	 Screw ST4.2x25mm	76+4*	92+5*	100+5*	Z8	 Waterproof tape	1	1	1
R	 Screw ST5.5x19mm	12+2*	12+2*	12+2*	Z9	 Screw ST4.8x13mm	4	4	4
S	 Cotter pin	19+3*	23+3*	25+4*	Z10	 Spare plastic pin	0+10*	0+10*	0+10*

Assembly

1. Set up the corner pillars

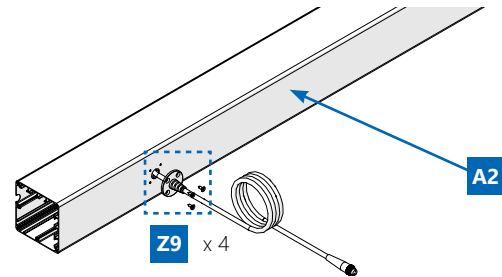


Assembly Video



1A

Fix the cable flange with screws **Z9** onto the cabled corner pillar **A2**, and make sure the cable is hanging outside.



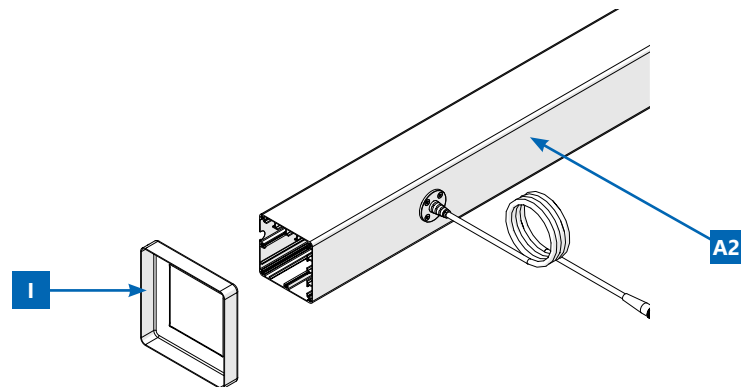
Z9 x 4



A2 x 1

1B

Slide the foot plate cover **I** with its wide opening facing outwards on the straight end of the cabled corner pillar **A2**.



I x 1

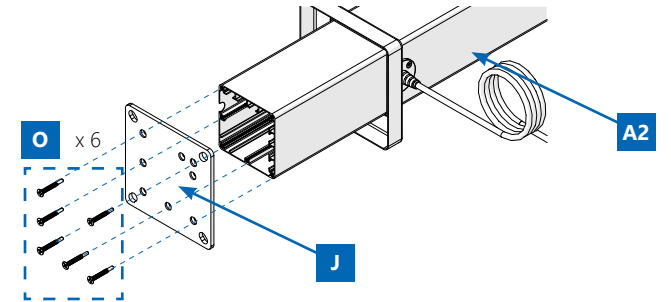
16



1C

Push the foot plate **J** against the straight end of the cabled corner pillar **A2**. It only fits in one direction and in one position. If in doubt, rotate it until it fits easily.

Screw in the foot plate **J** with 6 screws **O** using a cordless screwdriver.



O x 6

J x 1



1D

Repeat steps **1B** – **1C** to assemble the foot plates **J** of the 3 standard corner pillar **A**.

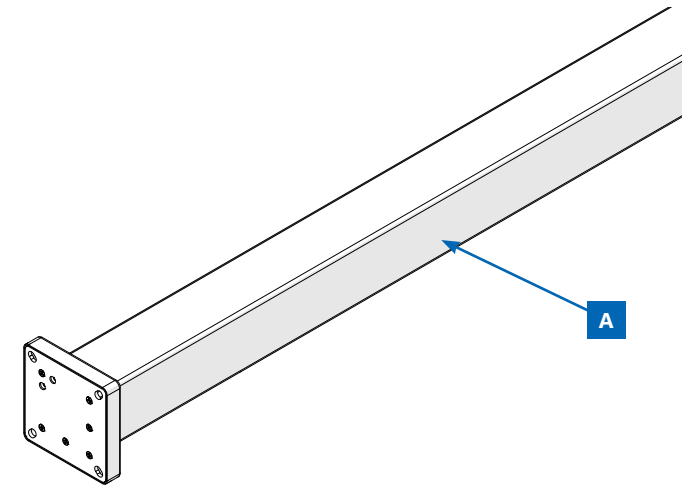
I x 3

O x 18

J x 3

A x 3

x 3

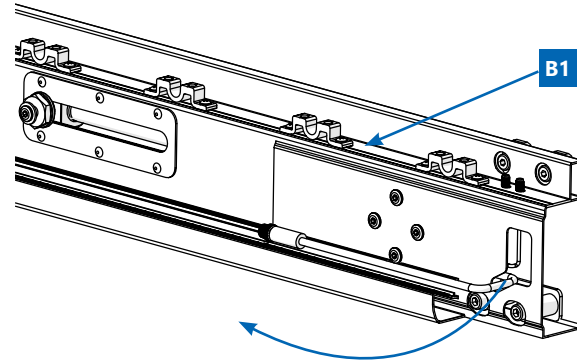


17

2. Connect side beam to the corner pillars

2A

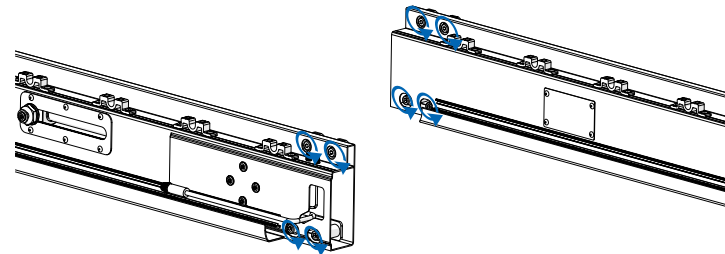
Pull out the cable at the end of the side beam with motor **B1** through the small cut-out.



B1 x 1

2B

Using a hex key (large) **Y**, slightly loosen the 8 built-in screws with motor **B1** (4 on each side).



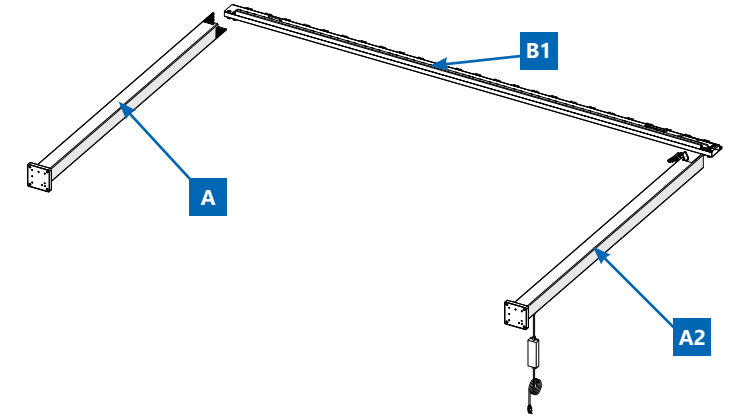
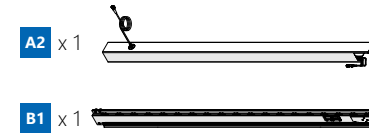
Y x 1

B1 x 1

18

2C

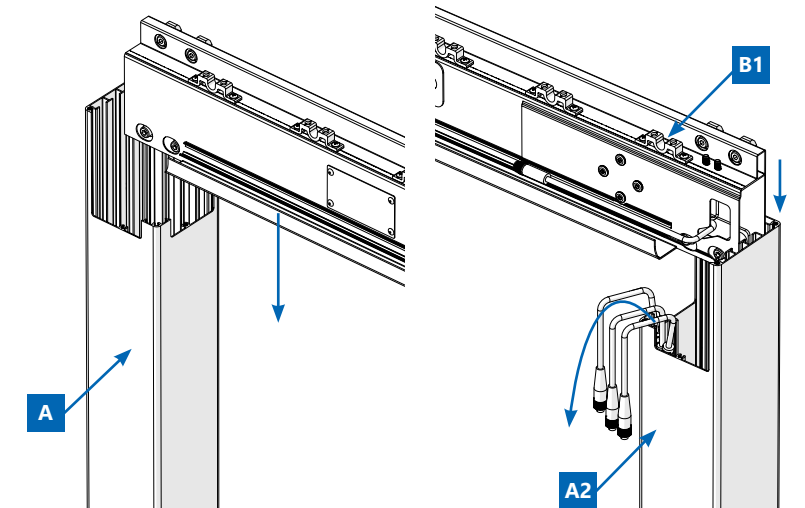
Lay two corner pillars (**A** & **A2**) and place the side beam with motor **B1** on the ground, as shown in the picture.



2D

Slide side beam with motor **B1** into the grooves of the corner pillars (**A** & **A2**) in such a way that the slot nuts of the side beam with motor **B1** interlock with the slots in the corner pillars (**A** & **A2**).

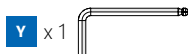
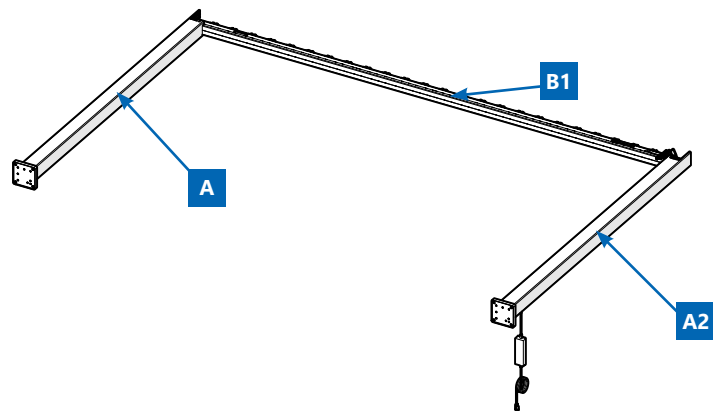
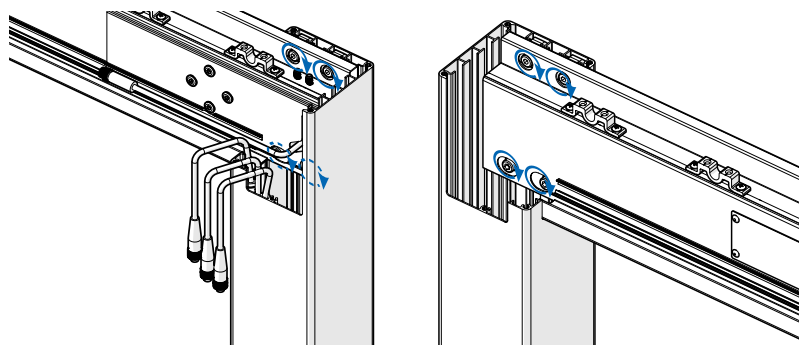
Warning:
Pull the cables out of the cabled corner pillar. Take care not to crush or squeeze the cables.



19

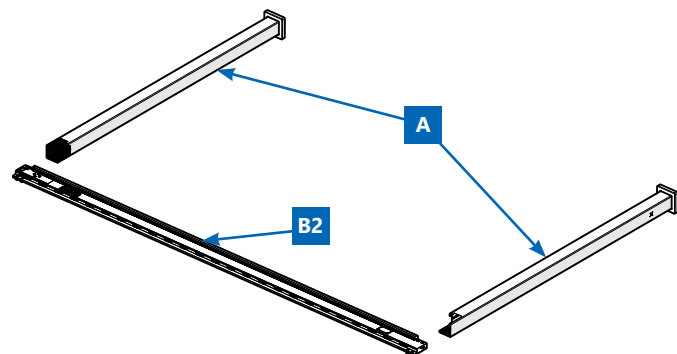
2E

Tighten the 8 screws (4 on each side) with the hex key **Y**.



2F

Repeat steps **2B** - **2E** to connect the beam without motor **B2** with the remaining two corner pillars **A**.



3. Assemble end beams

This phase requires four persons and at least two stepladders. Make sure that the stepladders are standing securely to avoid falling.



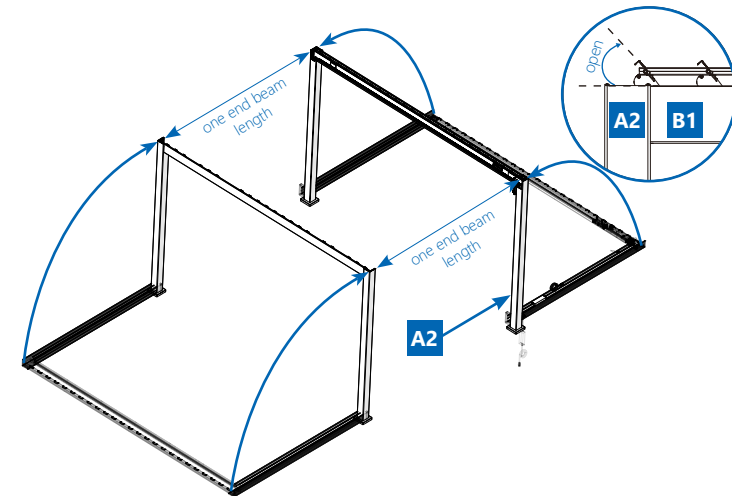
Only use ladders suitable for this kind of assembly work.

3A

Stand the two structures built in **steps 2** in an upright position, and place them at one end beam length away from one another. Make sure that one person is supporting each corner leg (**A** & **A2**) to prevent the structures from falling.

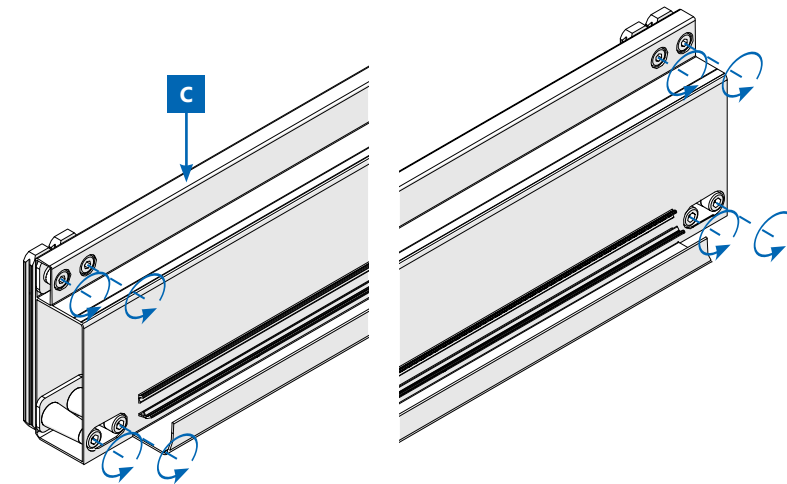
Notice:

When determining the installation direction of the product, please consider the opening direction of the louvers as well as the desired sunshade effect.



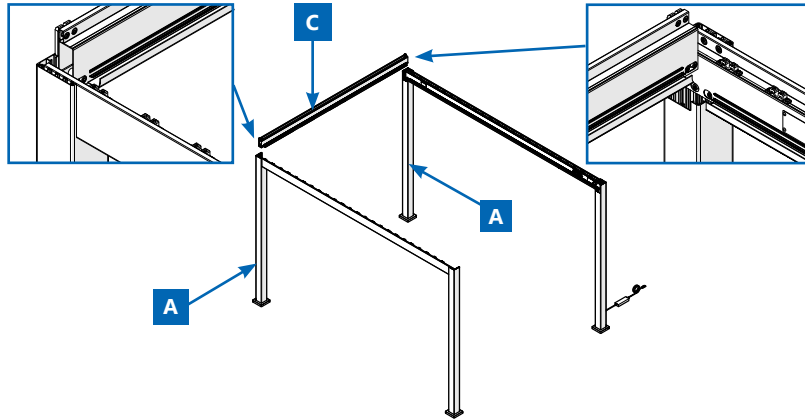
3B

Slightly loosen the 8 built-in screws at both ends of the end beam **C**.



3C

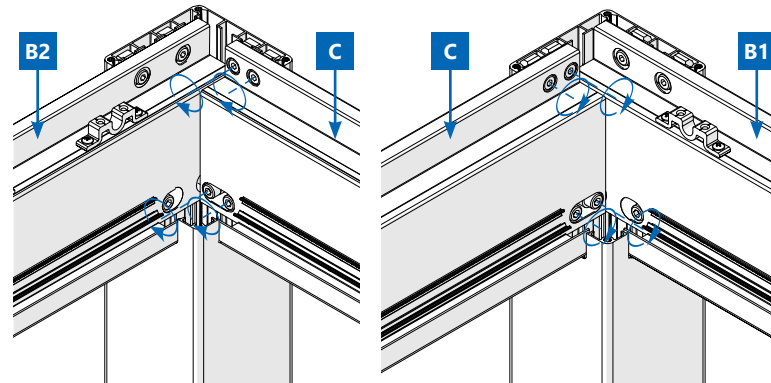
Slide the slot nuts of the end beams **C** from above into the slots of the corner pillars **A**.



C x 1

3D

Once the beam is in the correct position, tighten the 8 built-in screws on both ends using the hex key **Y** provided.



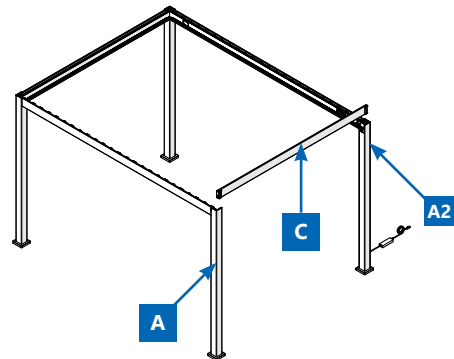
Y x 1

3E

Assemble the other end beam **C** by repeating steps **3B** - **3D**.

Y x 1

C x 1

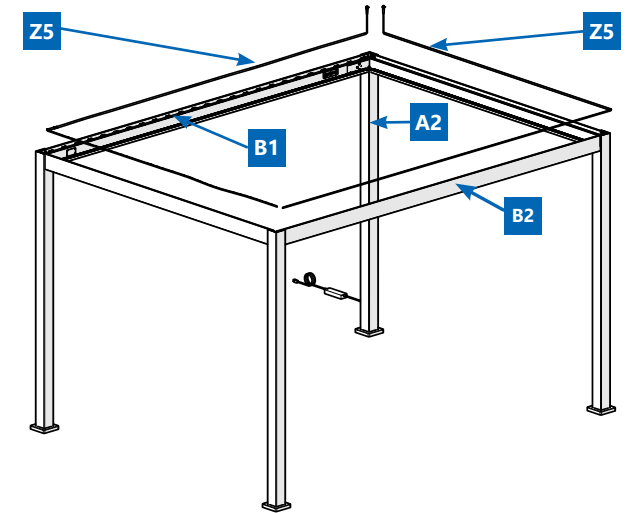


4. Install the LED strip lights

4A

Place both LED light strips **Z5** along the grooves on the side beams (**B1** & **B2**) and end beams **C**, as shown in the figure. Put the connection socket of the LED light strip **Z5** close to the cabled corner pillar **A2**, and put the end of the LED light strip **Z5** into the top of the corresponding corner pillar if needed.

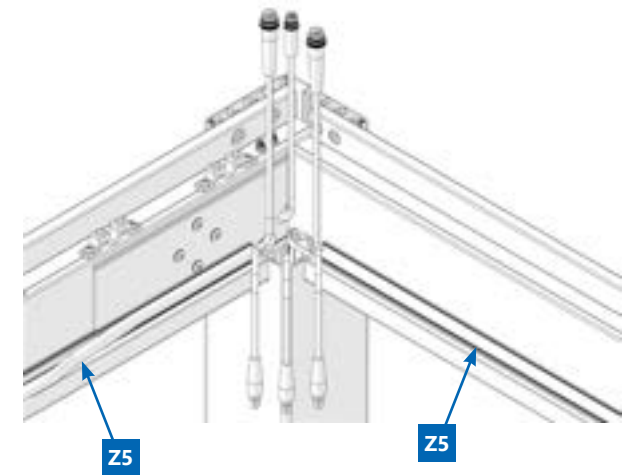
Z5 x 2



4B

As shown in the figure, press both LED light strips **Z5** firmly into the light strip slots one by one to ensure they are fitted evenly.

Z5 x 2



5. Connect the power cables of the motor and LED strip lights

5A

Connect the cable connector (5-pin) of the side beam with motor **B1** into the corresponding connector socket on the top of the cabled corner pillar **A2**. Then tighten the waterproof connector.

Connect the cable connector (4-pin) of the LED light strip **Z5** into the corresponding connector socket on the top of the cabled corner pillar **A2**. Then tighten the waterproof connector (there is no need to differentiate the plug sockets of the two light strips as they are the same).

Z5 x 2



Z8 x 1



B1 x 1

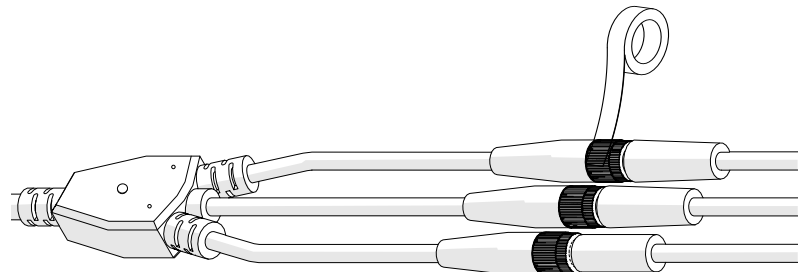
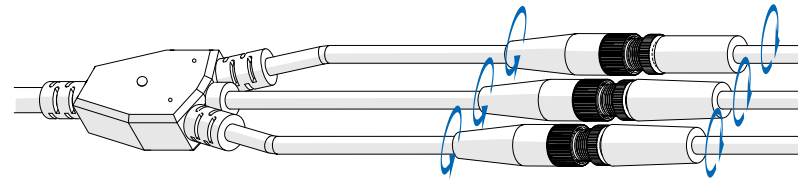
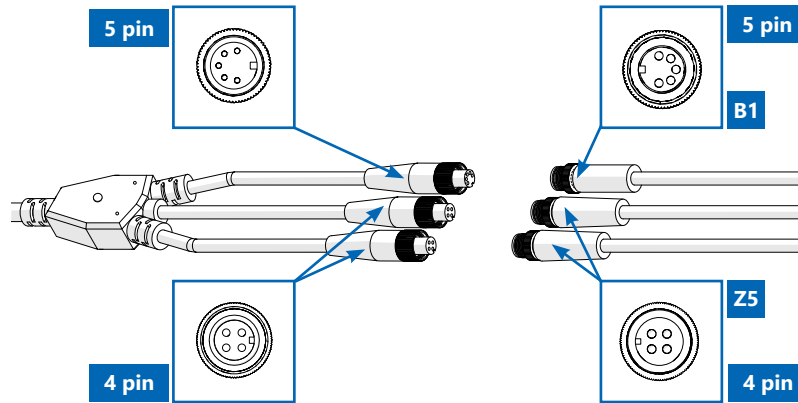


A2 x 1



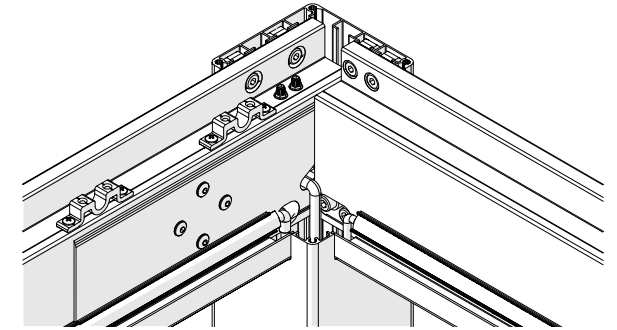
Tip:

It is recommended to wrap waterproof adhesive tape on the waterproof connectors to prolong their service life.



5B

Carefully tuck all connected cables and connectors at the top of the structure back into the corner pillar.



6. Check the alignment of the frame and the distance between the corner pillars

You are now almost done assembling the main frame of the gazebo. Please double check to ensure all corner pillars, beams, and cables have been assembled and fitted correctly. You may have to unscrew certain bolts during this step.

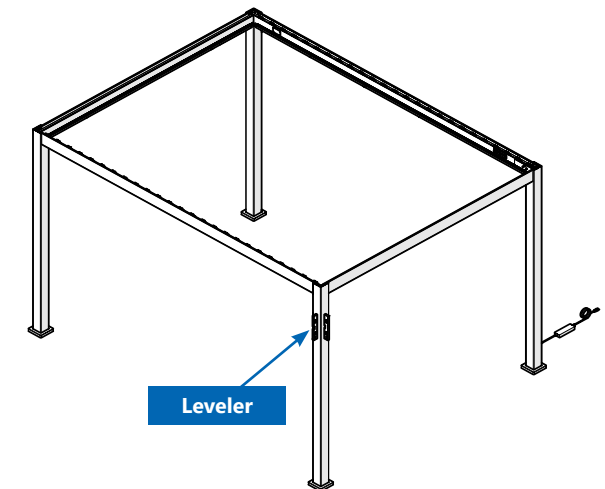
You will also need a tape measure and a leveler to complete this step.

6A

Choose one of the corner pillars (**A** & **A2**) and work from this pillar. Choose this pillar carefully as it will define the final installation location of the gazebo.

Use a leveler to measure against both of the inner sides to ensure that the corner pillar is straight and level.

Make sure this corner pillar does not move position during the remaining assembly steps.

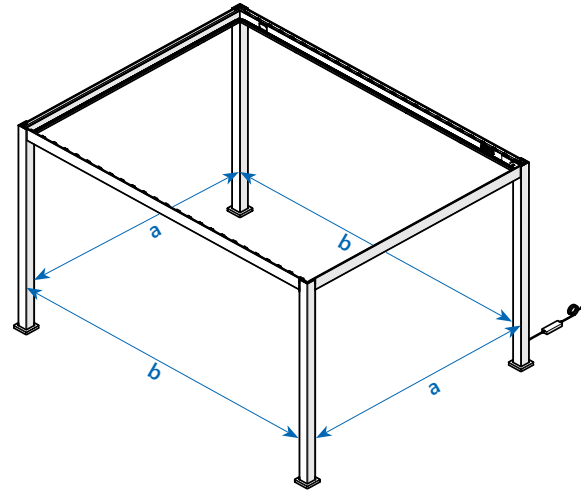


6B



Measure the distances between the adjacent corner pillars. Adjust accordingly and ensure the distances match those shown in the opposite figure.

Size (m/ft)	a		b	
	(mm)	(inch)	(mm)	(inch)
3x3/10x10	2790.5	109.9	2790.4	109.9
3x3.6/10x12	2790.5	109.9	3400	133.9
3x4/10x13	2790.5	109.9	3705	145.9
3.6x3.6/12x12	3400	133.9	3400	133.9
3.6x4/12x13	3400	133.9	3705	145.9

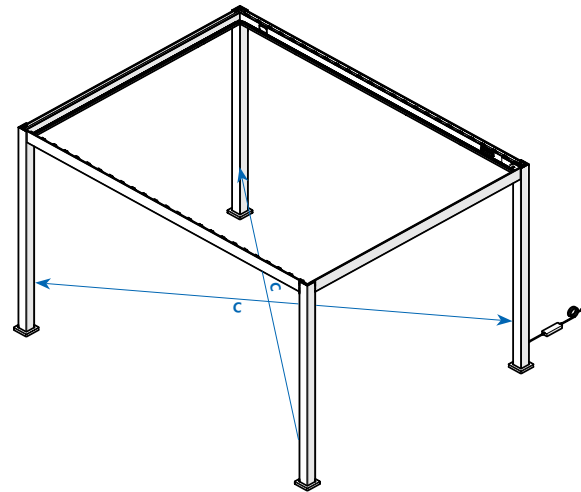


6C



Measure the diagonal distance between the opposite corner pillars. Adjust the other corner pillars accordingly until both diagonal distances are equal. You may have to repeat the above steps after completing the remaining steps.

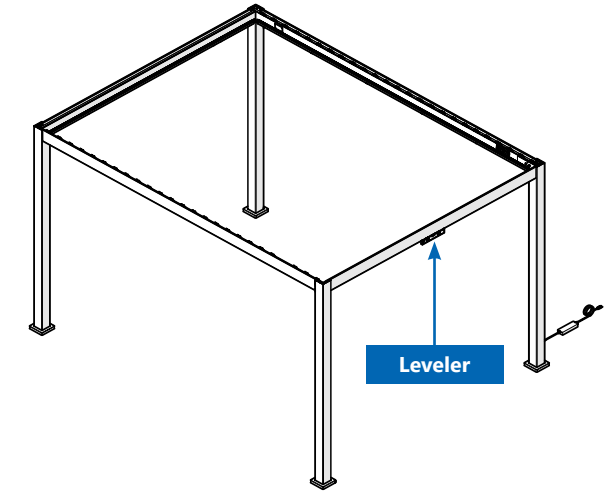
Size (m/ft)	c	
	(mm)	(inch)
3x3/10x10	3951	155.6
3x3.6/10x12	4403	173.3
3x4/10x13	4643	182.8
3.6x3.6/12x12	4813	189.5
3.6x4/12x13	5033	198.1



6D

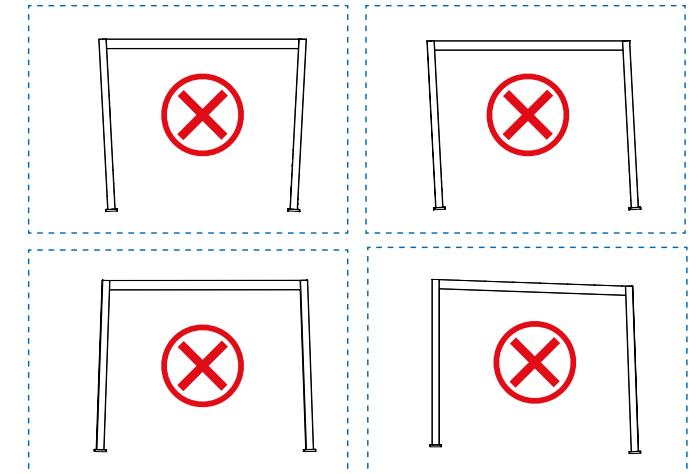


Check that all corner pillars are straight and level using a leveler. If the corner pillars or beams are still not level, this means that your main building surface isn't sufficiently level, and that you will need to raise the corner pillars that are positioned lower than the others. (Contact qualified professional installers if needed.)



Warning:

If you do not adjust the main structure at this point, you may encounter problems when fitting the louvers and/or accessories to the frame.



7. Assemble louvers & connecting strip

7A



Prepare the driving louver: select one of the louvers **D** to be the driving louver.

Attach the louver end cap with control arm **L** to one end of the driving louver, and attach a louver end cap **K** to the other end of the driving louver. Use two screws **Q** on each side.

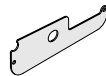
Notice:

Do not over tighten or strip out the screws.

L x1



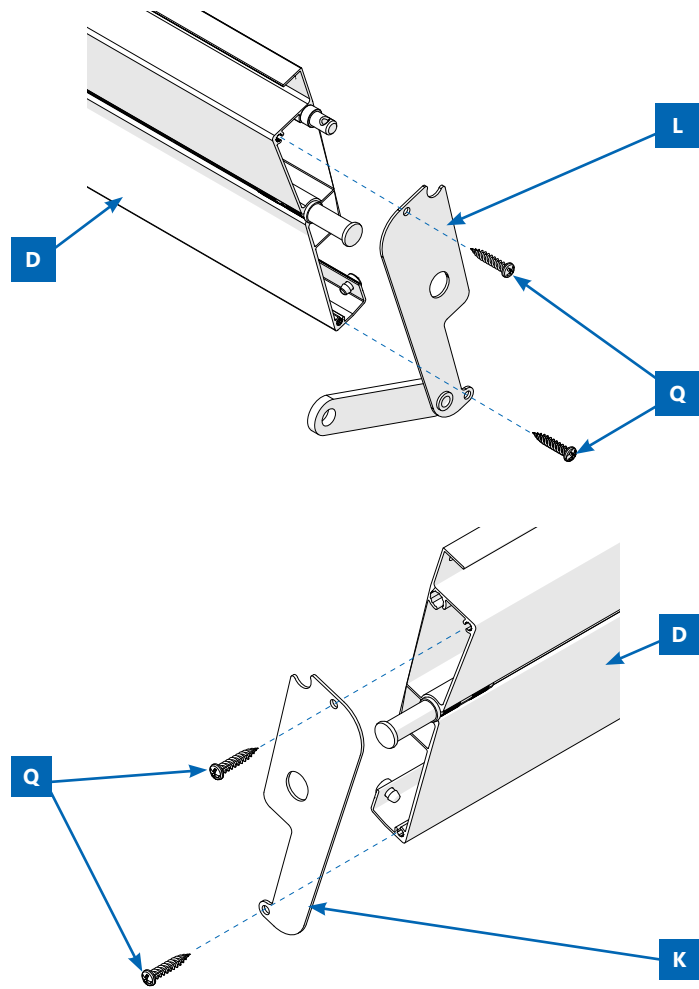
K x1



Q x4



D x1



7B



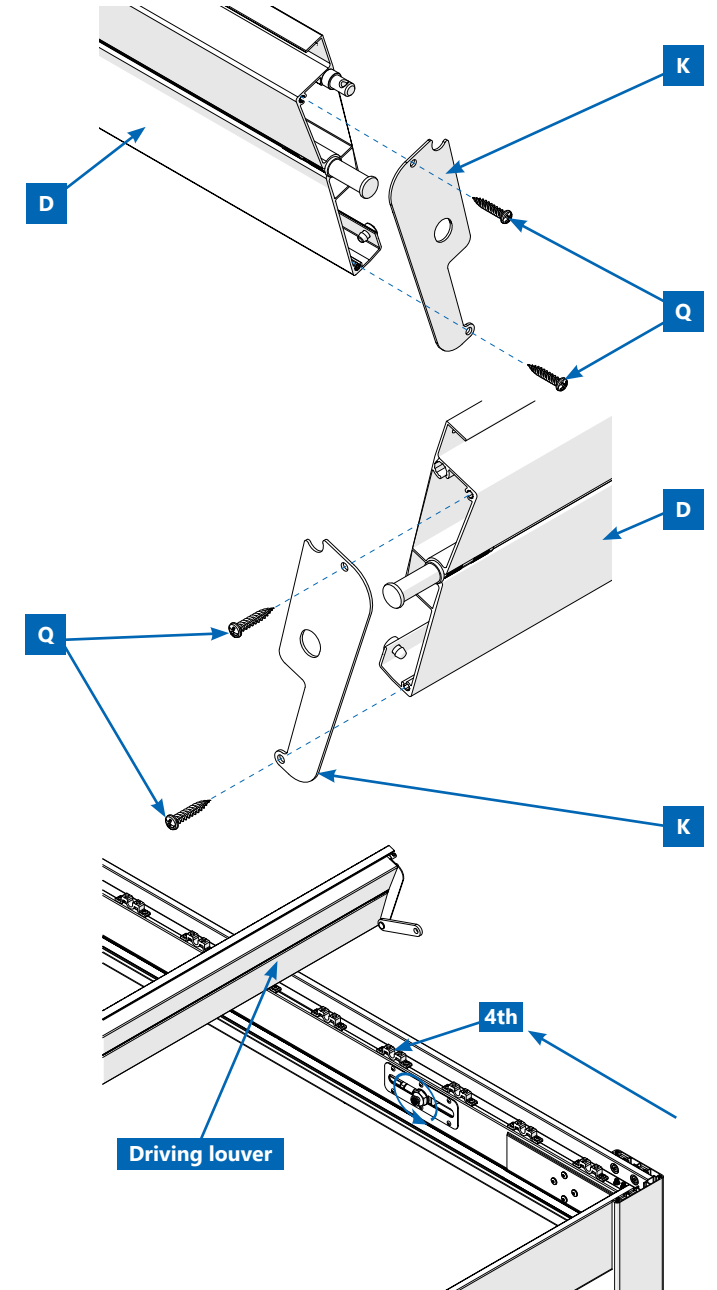
Prepare the regular louvers: attach the louver end caps **K** to each end of the rest of the louvers **D** with 2 screws **Q**.

Repeat this step for all louvers.

Part \ Length	3m/10ft.	3.6m/12ft.	4m/13ft.
K	36	44	48
Q	72	88	96
D	18	22	24

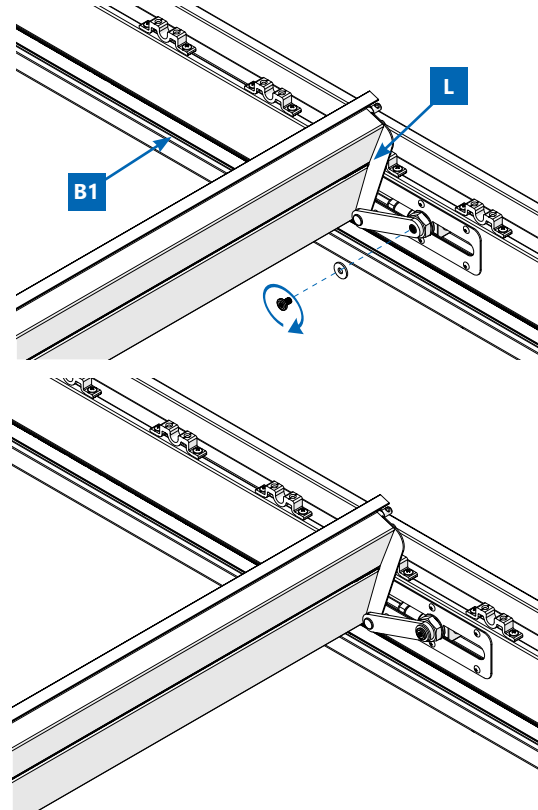
7C

Place the louvers **D** on the corresponding louver shaft support on both side beams (**B1** & **B2**), with each louver overlapping the next, and **make sure that the driving louver is placed 4th from the left.**



7D

Loosen the screw and washer already attached to the beam with motor. Then fix the connecting rod **L** of the driving louver to the side beam with motor **B1**, by firmly tightening the same screw and washer, using the hexagon socket key **X**.

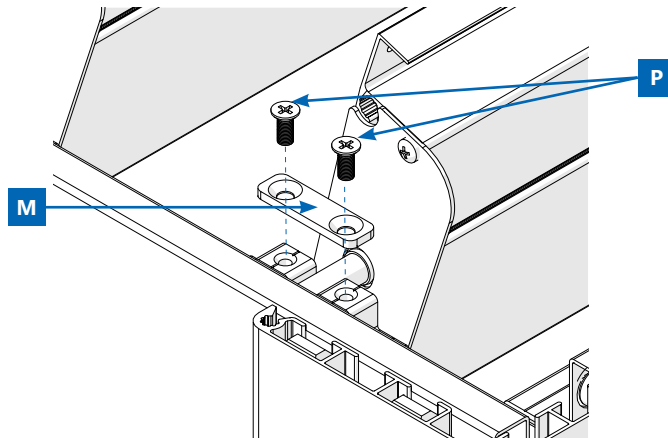


X x1

7E



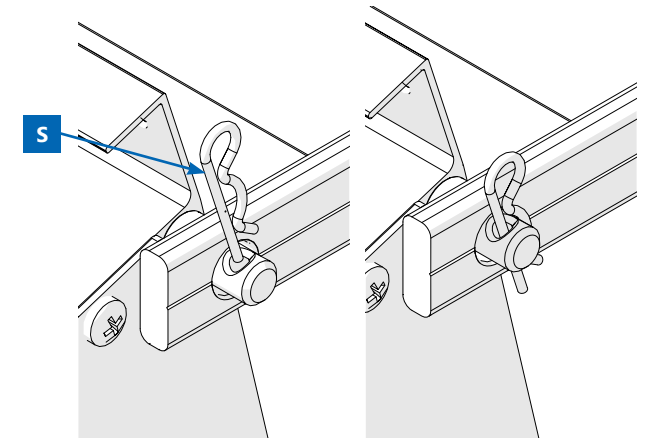
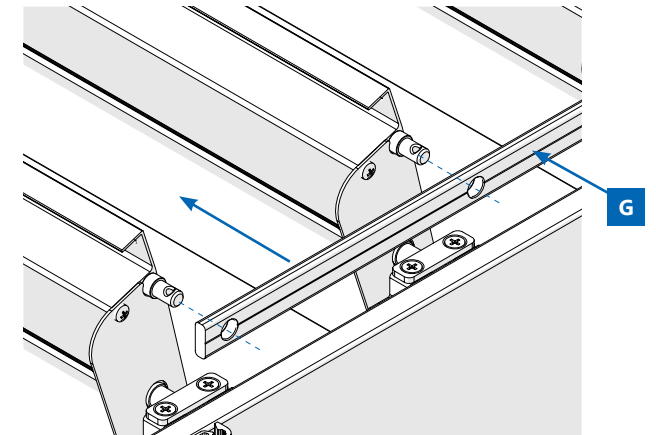
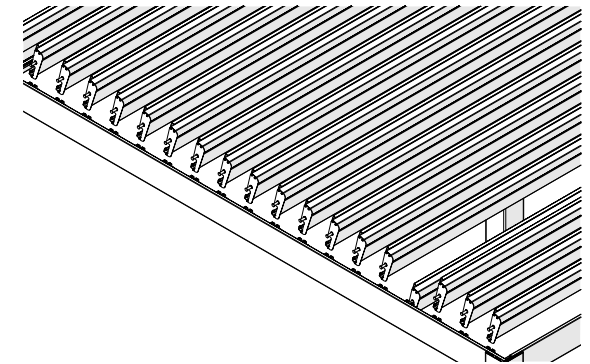
Place the rest of the louvers onto the remaining shaft support brackets. Secure the louvers **D** in the shaft support brackets by fixing a shaft support cover **M** onto the shaft support brackets on both ends of each louver **D**. Use 2 screws **P** each and secure them. Repeat this step for all louvers.



Part \ Length	3m/10ft.	3.6m/12ft.	4m/13ft.
M 	38	46	50
P 	76	92	100

7F

Attach the connecting strip **G** to each louver by fitting each of the holes onto the corresponding bolts of the louvers. Secure every bolt with a cotter pin **S**, inserting it through the small bolt hole. Repeat this step for all cotter pins.



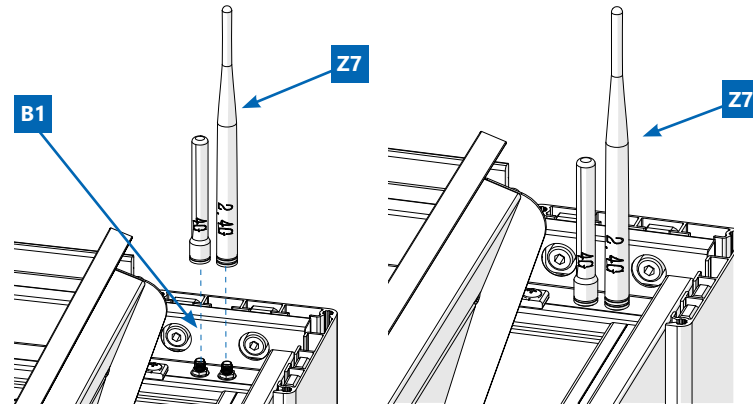
Part \ Length	3m/10ft.	3.6m/12ft.	4m/13ft.
G 	1	1	1
S 	19	23	25

8. Finalize the electric connection and assemble the pillar cover

8A

Assemble the 2.4G and 4G antenna **Z7**, and make sure they correspond to the label on the side beam with motor **B1**.

Z7 x 1



8B

Fix a pillar cover **N/N2** to the top of each corner with 3 screws each **R**.

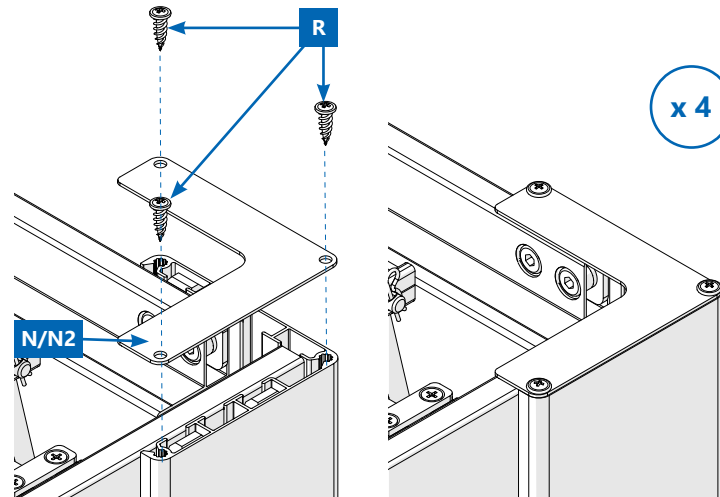
R x 12



N x 3



N2 x 1



8C

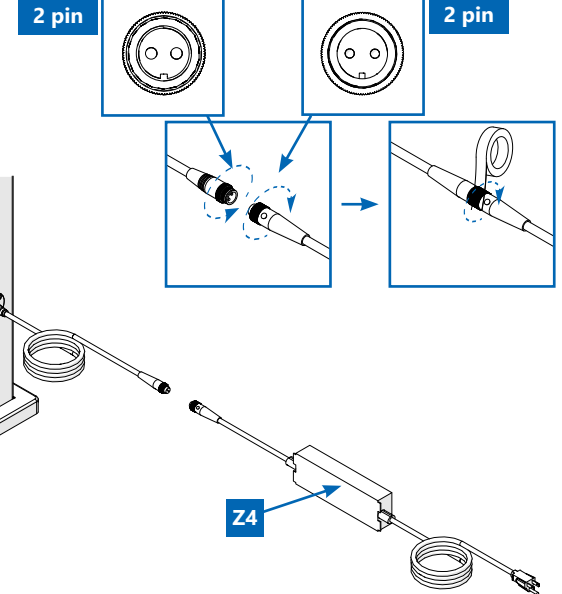
Connect the cable on the base of the cabled corner pillar **A2** to the cable of the power supply adapter **Z4**. Tighten firmly.

Tip:

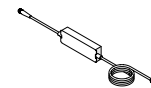
It is recommended to wrap waterproof adhesive tape on the waterproof connectors to prolong their service life.

Warning:

Ensure the power supply adapter makes contact with the ground.



Z4 x 1



Z8 x 1



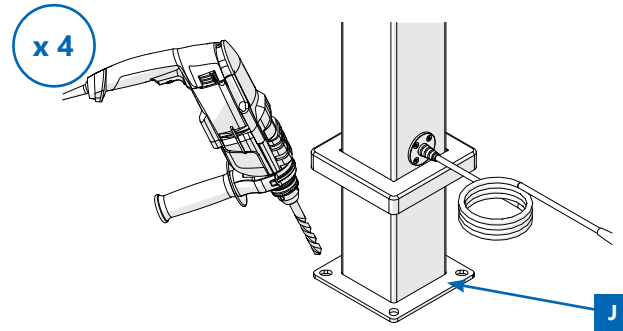
9. Secure the corner pillars to the ground

The gazebo must be firmly and permanently secured to the ground. If the ground is not level or suitable, please refer to the section "Before assembling your gazebo".

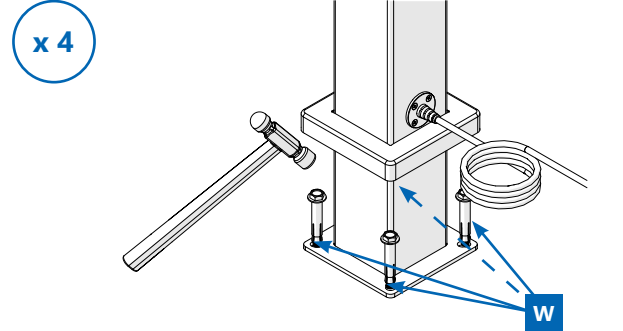
To ensure the correct installation of the subsequent fittings, check the frame alignment and pillar distance by repeating steps 6A - 6D.



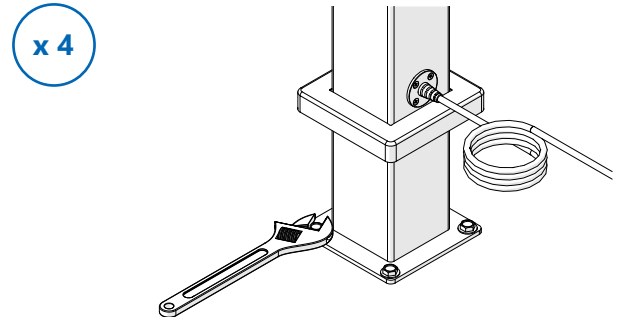
To fix the corner pillars (A & A2) with the four foot plates J, drill through each hole with a hammer drill.



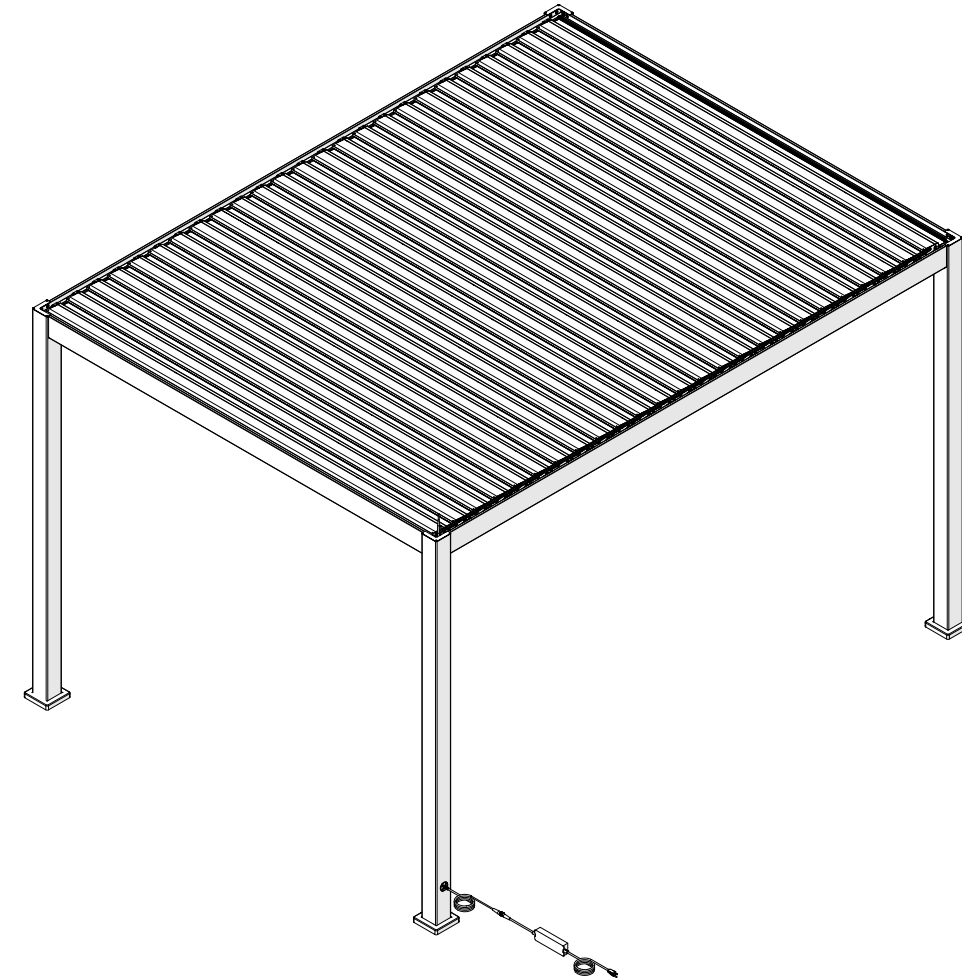
Remove all the debris and dirt. Then firmly insert an anchor bolt W into each hole, using a hammer.



Tighten the hexagonal ends of each bolt with a spanner/wrench.

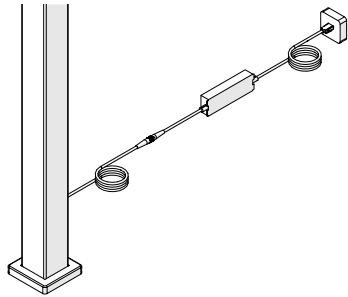


10. End of assembly



OPERATION OF YOUR FAIRHAVEN GAZEBO

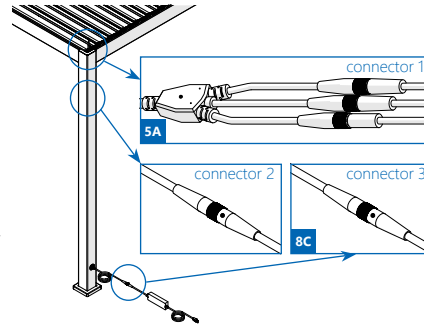
Plug the power supply adapter into the mains



The LED light will light up for two seconds and then turn off to indicate that the device has successfully powered on.

If no light is observed, please sequentially inspect the indicator lights on the connectors at the positions indicated in the right picture.

If any indicator light is off, please reconnect the corresponding connectors according to assembly steps **5A** and **8C**. (Connector 2 should be pulled out from the pillar for inspection.)



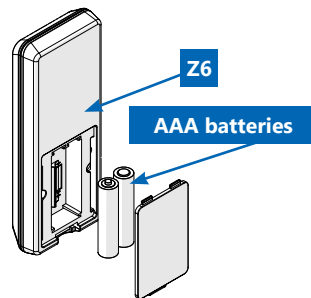
Warning:

To reduce the risk of electric shock, this equipment has a polarized plug (one blade is wider than the other). This plug will fit in a polarized outlet only one way. If the plug does not fit fully in the outlet, reverse the plug. If it still does not fit, contact a qualified electrician to install the proper outlet. Do not change the plug in any way.

Operate with the remote control

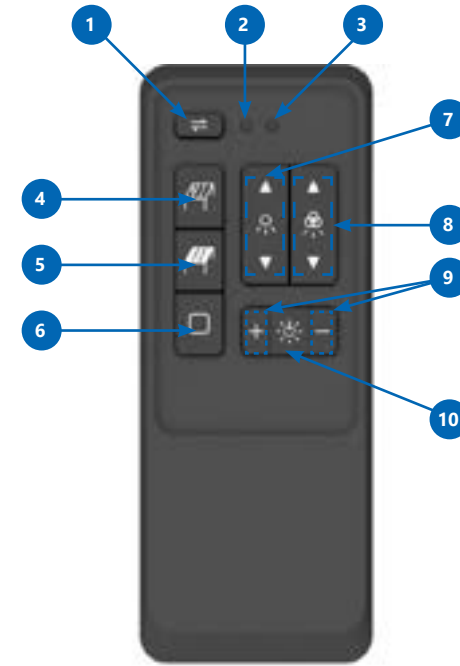
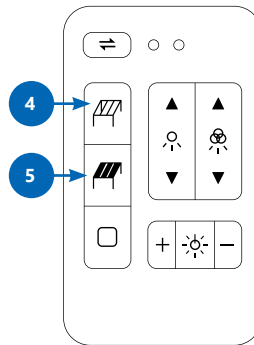
Insert the AAA batteries into the remote control **Z6** and press the appropriate buttons for lighting or louver adjustments.

If you encounter issues controlling the lights/ louvers or notice a delay while switching through the remote control, please re-pair the remote by following the **Pairing** steps outlined below.



Pairing:

1. Unplug the power supply and remove the battery from the remote control.
2. Wait for **15 seconds**, then reconnect the power supply and reinstall the battery in the remote control, make sure batteries are not worn out and that they are inserted correctly.
3. Once the light on the remote begins to flash, it indicates pairing mode has been activated. Please complete the pairing process **within 5 minutes** of reconnecting the power.
4. Simultaneously press and hold both **4** and **5** on the remote control.
5. After successful pairing, the light strip will flash twice and all louvers will move back and forth once.



Operating

- 1 Toggle to control actuator 1, actuator 2 or both actuators
- 2 Led indicator for actuator 1
- 3 Led indicator for actuator 2
- 4 Open louvers
- 5 Close louvers
- 6 Stop louver movement
- 7 Single color mode: Toggle light colors
- 8 Dynamic lighting mode: Toggle chasing effects
- 9 Adjust brightness (Only works for single color mode)
- 10 Turn on/off lights

Warning

- Non-rechargeable batteries are not to be recharged.
- Different types of batteries are not to be mixed.
- New and used batteries are not to be mixed.
- Batteries are to be inserted with the correct polarity.
- Exhausted batteries are to be removed from the appliance and safely disposed of.
- If the appliance is to be stored unused for a long period, the batteries should be removed.
- The supply terminals are not to be short-circuited.

How to connect the product with your phone

- I. Download the Mirador app from Google Play Store or App Store by scanning the QR code on the right.
- II. Open the Mirador App and scan the QR code on the nameplate on the beam to pair the gazebo.



If the APP shows that the product is bound by other users?





Connect the device to the mains and ensure that the light strip is turned off. Then, simultaneously press and hold the Toggle light colors **7** and Toggle chasing effects **8** keys for ten seconds. The light strip will flash pink **10** and turn off after 3 seconds. The product is successfully unbound.




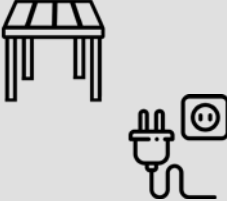
PROBLEM SOLVING, CARE & MAINTENANCE




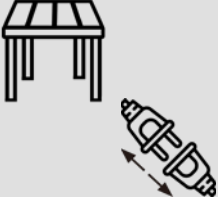
Issue	Explanation or action to take
The LED light strip is deformed after removing it from the packaging.	Expand the light strip and leave it at room temperature for a period of time until its shape is restored before installing it.
The surface of the LED light strip oxidizes and changes color after long-term use.	Regularly clean the surface to ensure cleanliness. If necessary, order a replacement light strip.
Abnormal noise occurs during the rotation of the louver(s).	Check if any of the louvers are deformed. If this is the case, replace them. If the louvers are not deformed but they are colliding with one another, replace the beam.
The remote control cannot be paired with the control system.	Check if the product is powered on. Check if the remote control battery is installed or if the battery is depleted. Remove the rear cover of the remote control and check if the positive and negative poles of the battery are correct. Remove the battery and reinstall it to avoid poor contact. (The details can be reviewed in the Page33) If the problem still persists, please contact customer service.
The remote control can be paired with the control system, but the app cannot.	It may take a few minutes for the device to search for the network. Please enter the network configuration diagnostic mode. Then wait patiently and confirm that the light strip flashes blue before attempting to scan the code for pairing. If there are still problems, please contact point of sale.
The LED light strip operates normally, but the liner actuator does not.	Replace the beam with motor.
During operation, the product takes time to respond, or the app does not operate in real-time.	Check the local network signal strength.
The product is a dual-gazebo, and the louvers on both sides do not open or close synchronously.	Slight asynchronization is normal. If it differs by more than 1 second, please refer to the contact section on page 37.

Issue	Explanation or action to take
Some of the light beads on the LED light strip do not work according to the instructions.	Replace the light strip.
The flatness of the louver is damaged due to weather conditions.	Replace the affected louvers.
The louvers cannot be reset when there is a power failure.	Remove the screws on the driver, take out the driver connected to the screws, and allow the louvers to reset automatically.
The drain is blocked by leaves or debris.	Clean the ducts and guttering of the gazebo regularly.
The casting powder on the beam surface falls off after the motor runs for long periods.	No intervention is needed under normal circumstances.
How do I enter the network configuration diagnostic mode?	Connect the device to the mains and ensure that the light strip is turned off. Then, simultaneously press and hold the increase brightness + and decrease brightness - keys. The light strip will blink in different colors to indicate the current network status.
	<ul style="list-style-type: none"> ● SIM card not detected ● IP Obtained ● Searching for Service ● Connected to the Cloud ● Registered Successfully ○ SIM Card Registration Denied

General Care & Maintenance

Dust and dirt will collect on the gazebo and will require periodic cleaning	Use a water/detergent mixture and a soft clean cloth to clean the gazebo.	Air dry or wipe with a soft clean cloth	Do not operate the awning when maintenance, such as window cleaning, is being carried out in the vicinity.
			

For more soiled areas, rinse the surface with clean water from top to bottom.	In most situations it is not necessary to lubricate the moving parts of the gazebo. However, when squeaking occurs, using a silicone spray lubricant is recommended.	Do not use any petroleum based spray lubricant.	Disconnect the awning from the supply when maintenance, such as window cleaning, is being carried out in the vicinity.
	 Silicone based	 Petroleum based	

In coastal areas, it is recommended that you frequently spray the gazebo with water to reduce accumulation of salt and dirt.	Disconnect the cables if the gazebo is not being used for long periods.	When the temperature is below 0°C/32°F, it is recommended to use the product less frequently to prolong the product's service life.	The drive shall be disconnected from its power source during cleaning, maintenance and when replacing parts.
		 < 0°C / 32°F	

Periodic inspection

Frequently examine the installation for imbalance and signs of wear or damage to cables and springs. Do not use if repair or adjustment is necessary.

- Check the gazebo is fixed firmly to the ground.
- Check the gazebo's mobile components are in good working order.
- Check that the driving parts are sufficiently lubricated.
- Check the condition of the electrical cables and inspect their mains connection.
- Check the operation of the motor's limit switch and correct where necessary.
- Check the screws and rivet joints on the gazebo.
- Check of the condition of mobile roof and bearings.

PRODUCT WARRANTY & LIMITATION OF LIABILITY

Coolaroo products are manufactured by Gale Pacific Limited ACN 082 263 778 (Gale). Gale provides the following warranty in relation to Coolaroo products ("Product").

The benefits of this warranty are in addition to any rights and remedies imposed by Australian Consumer Law, NZ Consumer Guarantees Act 1993, and state and federal legislation that cannot be excluded. Nothing in this warranty is to be interpreted as excluding, restricting or modifying any applicable legislation to the supply of goods and services which cannot be excluded, restricted or modified.

WARRANTY

Gale warrants that, subject to the exclusions and limitations below, all parts of the manufacture and assembly of the Product will be free from defects in materials and workmanship for a period of five (5) years from the date of purchase.

If a defect appears in the Product before the end of the warranty period and Gale finds the product to be defective in materials or workmanship, Gale will, in its sole discretion, either:

- replace or repair the Product or the defective part of the Product free of charge; or
- refund the purchase price of the Product.

Gale reserves the right to replace defective parts of the Product with parts and components of similar quality, grade and composition where an identical part or component is not available.

The warranty will not apply where:

- the Product has been altered or modified by someone other than Gale or its authorised agent;
- the alleged defect in the Product is within acceptable industry variances;
- Gale cannot establish any fault in the Product;
- the defect in the Product has arisen due to the customer's failure to install and use the Product in accordance with the instructions provided;
- the defect in the Product has arisen due to the customer's request to customise the Product;
- the Product has been subject to abnormal conditions, including environment, temperature, water, fire, humidity, pressure, stress or similar.

The warranty does not extend to:

- damage or defects caused by normal wear and tear,
- water or sun damage; or
- any other damage caused by the customer placing other equipment, furniture or material in close proximity to the Product.

Gale makes no express warranties or representations other than set out in this warranty.

The repair or replacement of the Product or part of the Product is the absolute limit of Gale's liability under this express warranty.

WARRANTY CLAIMS

- Upon purchasing the Product, the customer must register their warranty by completing the Coolaroo online warranty registration at www.coolaroo.com. Alternatively, the customer can contact Coolaroo Customer Service on 1800 331 521 (AU) or 0800 555 171 (NZ) for assistance.
- If a fault covered by warranty occurs, the customer must contact Gale using the contact details provided.
- Any warranty claim must be accompanied by proof of purchase and details of the alleged defect.
- The customer must bear the cost of the transport of the Product to and from Gale or the authorised agent to make the warranty claim, and all insurance of the Product.

AUSTRALIAN CONSUMER LAW

Nothing in this agreement is intended to have the effect of contracting out of any applicable provisions of the Competition and Consumer Act 2010 or the Fair Trading Acts in each of the States and Territories of Australia, except to the extent permitted by those Acts where applicable.

This warranty is not transferable, and applies only to the initial purchaser of the installed Product.

In addition to the above warranty, Australian Consumer law and other state and territory legislation may imply warranties or conditions or impose liability on Gale in relation to the Product or its supply which cannot, or can only to a limited implied warranties or conditions and such liability, and for the warranty described above:

- all warranties and conditions (whether express or implied, statutory or otherwise) relating to the Product or its supply are expressly excluded; and
- Gale will not be liable for any loss or damage suffered by any person (including the purchaser of the Product) in any way relating to or arising from the Product or its use (including loss or damage arising from the negligence of, or contributed to by, Gale).

If liability for breach by Gale of a warranty or condition or any other liability imposed on Gale by legislation which cannot be excluded may be limited, Gale's liability is limited to the extent permitted by law, and if liability may be limited in any one of a number of ways, Gale's liability is limited in any one of the permitted ways chosen by Gale in its absolute discretion.

The Purchaser acknowledges that the Purchaser does not rely on the skill or judgment of Gale as to whether or not the Products are fit for any particular purpose.

The Purchaser indemnifies Gale from every liability, loss, damage, cost or expense directly or indirectly incurred or suffered by Gale caused by or contributed to by the Purchaser's failure to:

- adequately provide or display safety markings or safety information on or with the Products;
- comply with any law about the Products or their use;
- take any reasonable precaution to bring to the attention of any potential users of the Products any dangers associated with Products;
- any negligence or breach of duty by the Purchaser or any breach by the Purchaser of these terms.

DISASSEMBLY & DISPOSAL OF THE PRODUCT

Incorrect disassembly of the gazebo may lead to serious injury and product damage.

Disassembly should be assigned to qualified personnel with adequate training within the scope of occupational health and safety and knowledge within the scope of recycling.

Disposal of used Electrical and Electronic Equipment

When the service life of the product is over, it is necessary to disassemble it for disposal and to sort the individual materials and components in compliance with the local regulations of your country.

Important disposal information

In compliance with European Directive 2012/19EU on waste electrical and electronic equipment (WEEE) it is forbidden to place the waste equipment marked with the crossed bin symbol with other waste to a container intended for domestic waste. Users wishing to dispose of electronic or electrical equipment are obliged to return it to a designated waste equipment collection point.

The above statutory obligations were introduced in order to limit the amount of waste generated from waste electrical and electronic equipment, and to ensure an appropriate level of collection, recovery and recycling. The equipment does not contain hazardous components which have a particularly adverse effect on the environment or human health.



Utilization of used batteries

In compliance with the provisions of the Directive 2006/66/EC of the European Parliament and of the Council of 6 September 2006 on batteries and accumulators and waste batteries and accumulators and repealing Directive 91/157/EEC, the End User is obliged to transfer used portable batteries, which are no longer used as a source of energy, to an official collection point. It is forbidden to place used batteries with other waste in the same container. To prevent environmental pollution and causing a possible hazard for human and animal health, used batteries should be disposed of in the correct container at the designated collection points.

CERTIFICATION INFORMATION

- Declaration of performance (DOP) → 44
- EU Declaration of Conformity → 45
- EC Declaration of Conformity → 46
- Manufacturer Self Declaration → 47

Declaration of performance (DOP)

Reference no. DOP0001

Product name and type

Mirador Pergola and Mirador Wall Pergola/ pergola awning

Model name/ Unique identification code of the product:

111 Deluxe AxBm, 111 Deluxe e AxBm, 111 Deluxe e-Motion RC AxBm, 111 Deluxe e-Motion AxBm,
111 DA AxBm, 111 LED DA AxBm, 111 e-Motion DA AxBm, 111 e-Motion+ AxBm,
111 Deluxe Edge AxBm, 111 Deluxe Edge e AxBm, 111 Deluxe Edge e-Motion RC AxBm, 111 Deluxe Edge e-Motion AxBm,
111 Deluxe R AxBm, 111 Deluxe R e AxBm, 111 Deluxe R e-Motion RC AxBm, 111 Deluxe R e-Motion AxBm,
AxB:
3x3, 3x3.6, 3x4, 3.6x3.6, 3.6x4,
3x5.3, 3x6, 3x7.2, 3.6x5.3, 3.6x6, 3.6x7.2

111 Classic AxBm, 111 Classic e AxBm, 111 Classic e-Motion AxBm, 111 S AxBm, 111 LED S AxBm, 111 e-Motion S AxBm,
111 Premium AxBm, 111 Premium e AxBm, 111 Premium e-Motion AxBm, 111 A AxBm, 111 LED A AxBm, 111 e-Motion A AxBm,
AxB:
3x3, 3x3.6, 3x4,
3x5.3, 3x6, 3x7.2

111 Infinite AxBm, 111 Infinite e AxBm, 111 Infinite e-Motion RC AxBm, 111 Infinite e-Motion AxBm,
111 Infinite LED AxBm, 111 Infinite e-Motion DA AxBm, 111 Infinite e-Motion+ AxBm,
111 Infinite Edge AxBm, 111 Infinite Edge e AxBm, 111 Infinite Edge e-Motion RC AxBm, 111 Infinite e-Motion AxBm,
AxB:
3.6x3.6, 7.2x7.2

Purpose of Usage:

External use in buildings and other construction works

Manufacturer:

Zhejiang Zhengte Co., Ltd.
811 Dongfang Ave, Zhejiang, PRC

Documentation officer:

Ziad Zhao
Zhejiang Zhengte Co., Ltd.
No.811 Oriental Ave., Linhai, 317004, Zhejiang, China

System for assessing and verifying the constancy of performance according to Annex V of the Construction Products Regulation (EU)305/2011

System 4

Declared performance (Excluding the structural part):

Wind resistance = Class 6
Standard: EN 13561:2004+A1:2008

Zhejiang
20.07.23

EU Declaration of Conformity



Product name

Mirador Pergola

Model name/ Unique identification code of the product:

111 Deluxe e-Motion AxBm, 111 Deluxe Edge e-Motion AxBm, 111 Deluxe R e-Motion AxBm,
AxB:
3x3, 3x3.6, 3x4, 3.6x3.6, 3.6x4,
3x5.3, 3x6, 3x7.2, 3.6x5.3, 3.6x6, 3.6x7.2

111 Classic e-Motion LTE AxBm, 111 Premium e-Motion LTE AxBm,
AxB:
3x3, 3x3.6, 3x4,
3x5.3, 3x6, 3x7.2

111 Infinite e-Motion AxBm, 111 Infinite Edge e-Motion AxBm,
AxB:
3.6x3.6, 7.2x7.2

Software: ZTC1D05

Accessories: Remote control, 3V DC Battery

Purpose of Usage:

External use in buildings and other construction works

Manufacturer:

Zhejiang Zhengte Co., Ltd.
No. 588 Linhai Ave., 317000 Linhai, Zhejiang, PRC

Documentation officer:

Ziad Zhao
Zhejiang Zhengte Co., Ltd.
No. 588 Linhai Ave., 317000 Linhai, Zhejiang, PRC

2014/53/EU (The Radio Equipment Directive)

For the evaluation of the compliance with these Directives and Regulations, the following standards/requirements were applied:

EN 62368-1:2014/A11:2017
EN 301 489-1 V2.2.3:2019+EN 301 489-17 V3.3.4:2020
EN 300 328 V2.2.2:2019
EN 50663:2017
EN 50665:2017

Notified Body: TÜV SÜD Product Service GmbH

NB No.: 0123

Certificate No.: TPS-RED501072 i01

Zhejiang
01.08.25

(Chairman/President)

(Chairman/President)

EC Declaration of Conformity



Product name and type

Mirador Pergola and Mirador Wall Pergola/ pergola awning

Model name/ Unique identification code of the product:

111 Deluxe AxBm, 111 Deluxe e AxBm, 111 Deluxe e-Motion RC AxBm, 111 Deluxe e-Motion AxBm
111 Deluxe Edge AxBm, 111 Deluxe Edge e AxBm, 111 Deluxe Edge e-Motion RC AxBm, 111 Deluxe Edge e-Motion AxBm
111 Deluxe R AxBm, 111 Deluxe R e AxBm, 111 Deluxe R e-Motion RC AxBm, 111 Deluxe R e-Motion AxBm
AxB:
3x3, 3x3.6, 3x4, 3.6x3.6, 3.6x4,
3x5.3, 3x6, 3x7.2, 3.6x5.3, 3.6x6, 3.6x7.2

111 Classic AxBm, 111 Classic e AxBm, 111 Classic e-Motion AxBm, 111 Classic e-Motion LTE AxBm
111 Premium AxBm, 111 Premium e AxBm, 111 Premium e-Motion AxBm, 111 Premium e-Motion LTE AxBm
AxB:
3x3, 3x3.6, 3x4,
3x5.3, 3x6, 3x7.2

111 Infinite AxBm, 111 Infinite e AxBm, 111 Infinite e-Motion RC AxBm, 111 Infinite e-Motion AxBm
AxB:
3.6x3.6, 7.2x7.2

Purpose of Usage:

External use in buildings and other construction works

Manufacturer:

Zhejiang Zhengte Co., Ltd.
811 Dongfang Ave, Zhejiang (China)

Documentation officer:

Ziad Zhao
Zhejiang Zhengte Co., Ltd.
No.811 Oriental Ave., Linhai, 317004, Zhejiang, China

Meets the provisions of Machinery Directive 2006/42/EC

Harmonised standards used:

EN 13561:2015
EN 60335-1:2012+A11:2014+A13:2017+A1:2019 + A14:2019 +A2:2019+A15:2021
EN 60335-2-97:2006+A11:2008+ A2:2010+ A12:2015
EN 62233:2008

Zhejiang
20.07.23

Manufacturer Self Declaration



Product name

Mirador Pergola

Model name/ Unique identification code of the product:

111 Deluxe e-Motion AxBm, 111 Deluxe Edge e-Motion AxBm, 111 Deluxe R e-Motion AxBm,
AxB:
3x3, 3x3.6, 3x4, 3.6x3.6, 3.6x4,
3x5.3, 3x6, 3x7.2, 3.6x5.3, 3.6x6, 3.6x7.2

111 Classic e-Motion LTE AxBm, 111 Premium e-Motion LTE AxBm,
AxB:
3x3, 3x3.6, 3x4,
3x5.3, 3x6, 3x7.2

111 Infinite e-Motion AxBm, 111 Infinite Edge e-Motion AxBm,
AxB:
3.6x3.6, 7.2x7.2

Accessories: Remote control, 3V DC Battery

Each product has a different device identification number, which cannot be modified by the user.

The product supports the use of LTE bands:

Band 1, Band 3, Band 7, Band 8, Band 20, Band 28A, Band 38, Band 40 and comply with IMEI security requirements of ETSI TS 122 016.

Manufacturer:

Zhejiang Zhengte Co., Ltd.
No. 588 Linhai Ave., 317000 Linhai, Zhejiang, PRC

Documentation officer:

Ziad Zhao
Zhejiang Zhengte Co., Ltd.
No. 588 Linhai Ave., 317000 Linhai, Zhejiang, PRC

comply with the applicable mandatory requirement of the following ETSI Specification

ETSI TS 136 321
ETSI TS 136 322
ETSI TS 136 323
ETSI TS 136 331

Zhejiang
08.08.25

(Chairman/President)

(Chairman/President)



THANK YOU
FOR PURCHASING A COOLAROO PRODUCT

Exposure to ultraviolet (UV) radiation from the sun is the major cause of skin cancer. In some countries the UV radiation is strong enough to cause sunburn in just 11 minutes on a fine summers day. To prevent sun damage we recommend following the Sun Smart steps: slip on clothing, slop on sunscreen, slap on a hat, slide on sunglasses and seek shade.

To register your product go to coolaroo.com. The product code can be found printed above the barcode on the product packaging, alternatively you can find it on the relevant coolaroo.com product page.



Gale Pacific Limited
145 Woodlands Drive, Braeside,
Victoria, 3195 Australia

Australia: 1800 331 521
New Zealand: 0800 555 171

2000286

Made in China

© Coolaroo is a registered
trademark of Gale Pacific Limited

coolaroo.com

2025-11