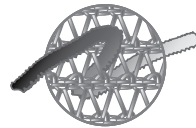


## UmbrellaCare

- This umbrella is water resistant only.
- To ensure long life of your umbrella:
  - DO NOT use umbrella over or near harsh chemicals or open flames including but not limited to chlorine, grills, barbecues and fire pits.
  - This is not a permanent structure and should be taken down during adverse weather conditions including but not limited to high winds, heavy rains, and snow.
  - Ensure that the umbrella is completely dry prior to storing.
  - To clean this umbrella, simple hose clean. A mild soap may be used. Rinse thoroughly.
  - Always secure the base of your Coolaroo Cantilever Umbrella with paver stones or bolts.
  - Close and lower your Coolaroo Cantilever Umbrella when not in use or when unattended.
  - Do not attempt to lower your umbrella while the canopy is locked in the open position. This could cause harm to both yourself and your umbrella.



Up to 90% UV block



Breathable fabric



Hose clean

## CustomerCare

- For help with installation or for any other questions you may have, contact our Customer Service Department.

**Customer Service Department:**  
**Toll Free: 1-800-560-4667**  
**Hours: M-F 8am - 5pm EST.**

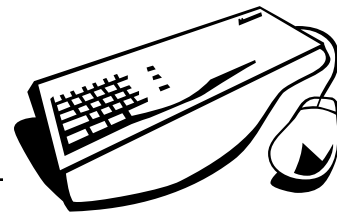
**Gale Pacific USA, Inc.**  
**P.O. Box 162625**  
**Altamonte Springs, FL 32716-2625**



## ProductRegistration

- Save time and money. Register your product online. It's fast and easy.

**Online:**  
**www.coolaroo.com**



## LimitedWarranty

### Gale Pacific Limited Product Warranty and Limitation of Liability

If, as a direct result of ultra-violet exposure, this product cracks, splits or tears ("defect") within 5 years after the date on which the product is purchased from Gale Pacific Limited ACN082 263 78 ("Gale Pacific") or an authorised distributor or agent of Gale Pacific, will at its option, replace the fabric component of the product (but not any other component, such as the frame) free of charge or refund the cost of such replacement. This warranty is subject to the following conditions and limitation: 1. All claims under this warranty must be made in writing addressed to Gale Pacific Limited, PO Box 892 Braeside, Victoria, 3195, Australia or, if the product was purchased in North America, to Gale Pacific Inc, P.O. Box 162625 Altamonte Springs, FL 32716-2625, U.S.A. All claims must be accompanied by a sample of the fabric for laboratory testing and proof of place and date of purchase of the product. 2. Gale Pacific will not be liable for any claim made under this warranty in respect of any product in any of the following circumstances: • If the defect is contributed to or caused by any improper use of the product or usage of the product for purposes other than that for which the product was designed or intended. • If the defect occurs wholly or partly as a result of any act or omission of any person other than Gale Pacific. • If the product has been subjected to misuse, neglect, accident or abuse. • If the product is altered or modified in any way unless such modification has been approved in writing by Gale Pacific. • If the product is erected, installed or used in violation of, or in a manner that is inconsistent with, instructions or warnings furnished by Gale Pacific. 3. This warranty does not cover: • Color fading of the product (even if due to exposure of the product to ultra-violet rays) or a deterioration in the chemical composition of the fabric due to exposure to ultra-violet rays; or • Any damage to the product caused or contributed to by exposing the product to chemicals (including chlorine), placing the product near an open flame (including flames from a barbecue), tensioning the product beyond its tear and tensile capabilities or mechanical friction. In addition to the above warranty, the Trade Practices Act 1974 (Cth) and other state and territory legislation may imply warranties or conditions or impose liability on Gale Pacific in relation to the product or its supply which cannot, or can only to a limited extent, be excluded, restricted or modified. Except for those implied warranties or conditions and such liability, and for the warranty described above: • All warranties and conditions (whether expressed or implied, statutory or otherwise) relating to the product or its supply are expressly excluded; and • Gale Pacific will not be liable for any loss or damage suffered by any person (including the purchaser of the product) in any way relating to or arising from the product or its use (including loss or damage arising from the negligence of, or contributed by, Gale Pacific). If liability for breach by Gale Pacific of a warranty or condition or any other liability imposed on Gale Pacific by legislation which cannot be excluded may be limited, Gale Pacific's liability is limited to the extent permitted by law, and if liability may be limited in any one of a number of ways, Gale Pacific's liability is limited in any one of the permitted ways chosen by Gale Pacific in its absolute discretion.

Nothing lasts like a Coolaroo



• Window Shades • Umbrellas • Shade Sails • Gazebos • Shade Fabrics • Garden Products

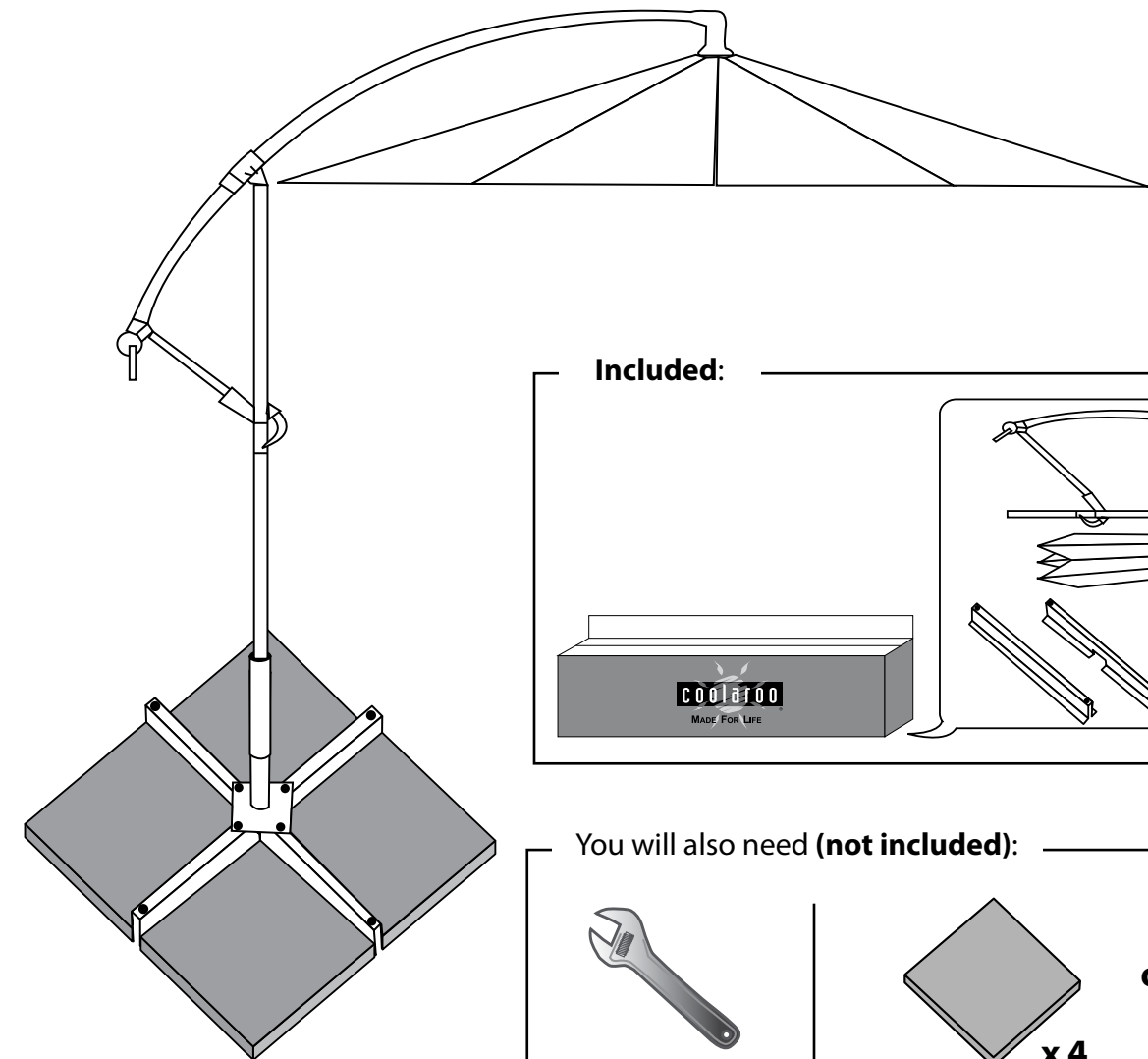


MADE FOR LIFE

coolaroo.com

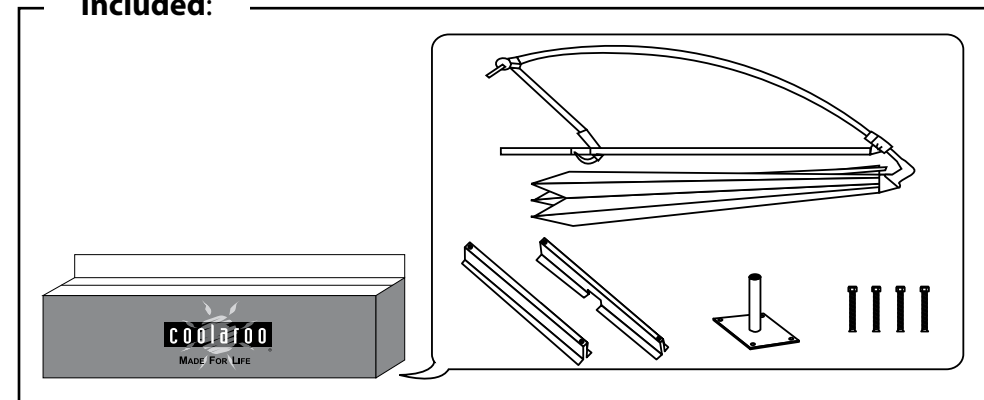


# Installation Manual Cantilever Umbrella



Paver Stones Sold Separately

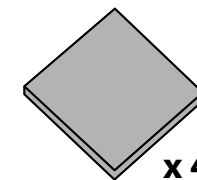
### Included:



### You will also need (not included):



Wrench



x 4

or



x 4

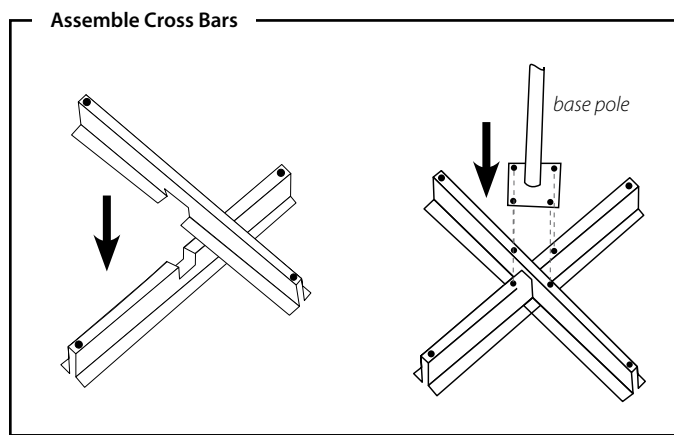
14"-20" paver stones  
(recommended)

≥ 3.5" deck screws/bolts

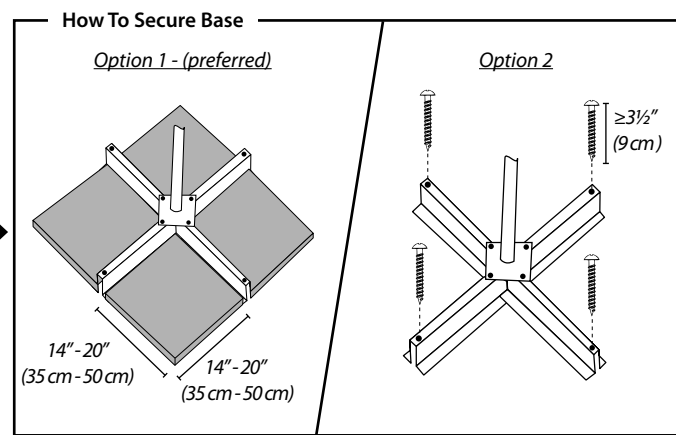
**NOTE: The use of either paver stones or screws to secure your umbrella and prevent tipping is required.**

## BeforeBeginning

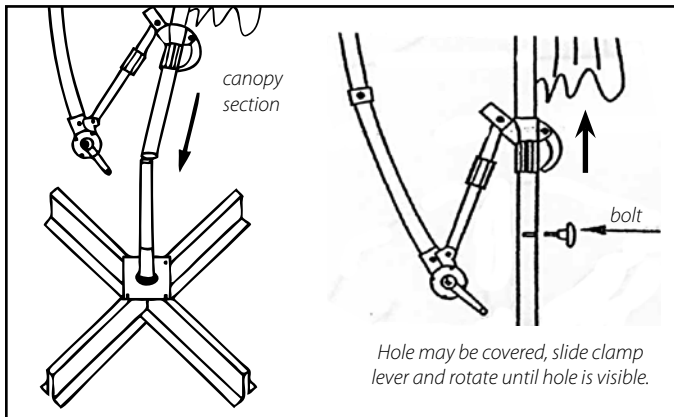
Before you begin, ensure all pieces are accounted for and the stone pavers or bolts are ready to secure base. Read all instructions before you begin. You may need a friend to help you.



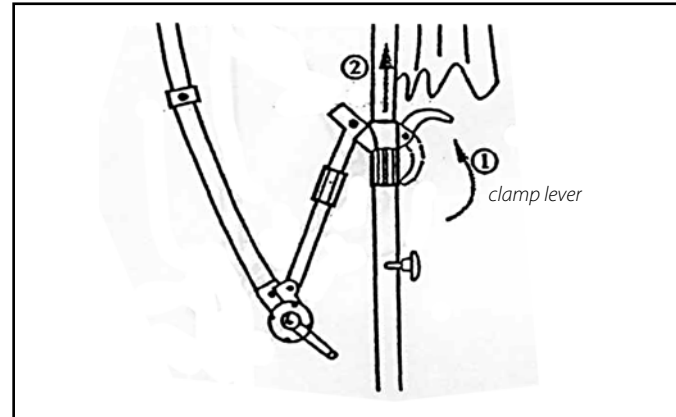
A. Interlock cross bars. Align base pole holes with cross bar holes. Secure with bolts and washers provided. Secure base with pavers or bolts/screws now.



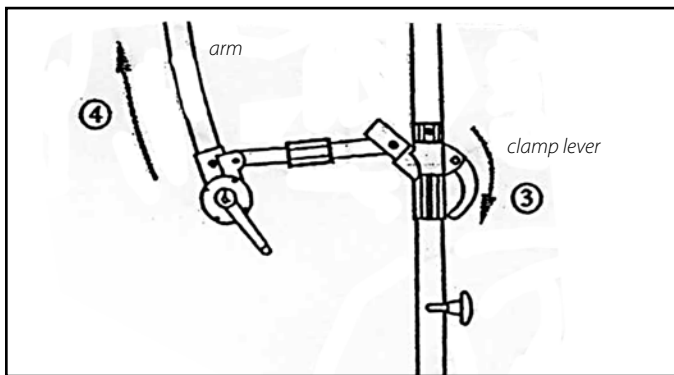
**Option 1** - Position (4) - 14"-20" (35 cm - 50 cm) paver stones onto the base before raising canopy.  
**Option 2** - Base can be secured to decking/patio with bolts or deck screws at least 3½" (9 cm) long.



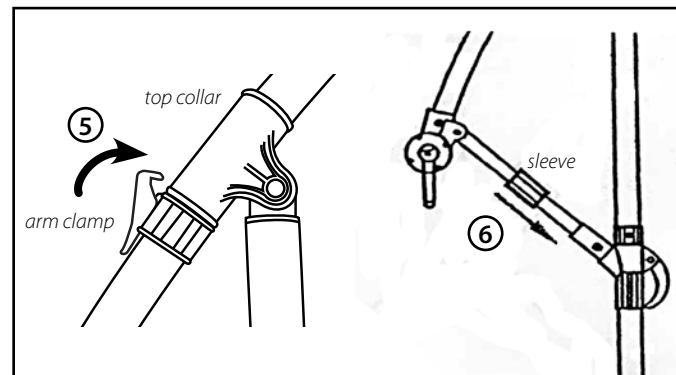
B. Slide canopy section over base pole. Align canopy section and base pole holes and secure with bolt. Base pole hole may be covered. See above.



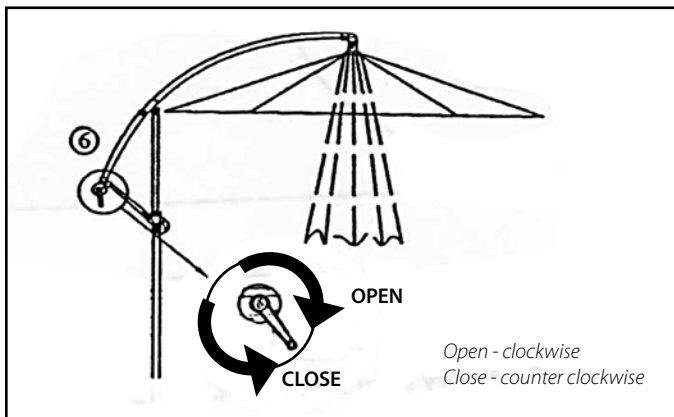
C. 1: Raise clamp lever. 2: Slide umbrella pole in an upwards direction.



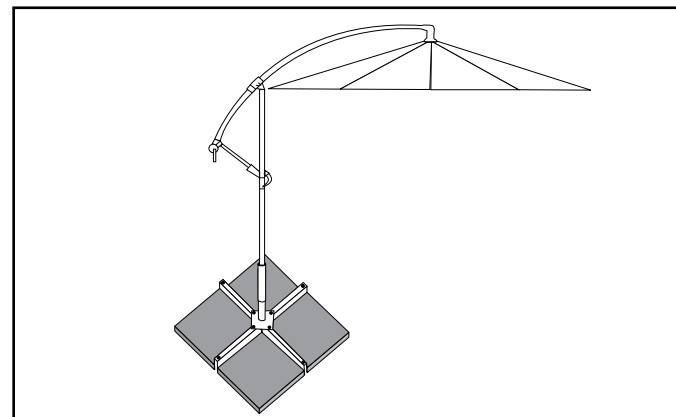
D. 3: Lower clamp lever to lock 4: Fully raise arm of umbrella. This may take two people. Ask for help if needed.



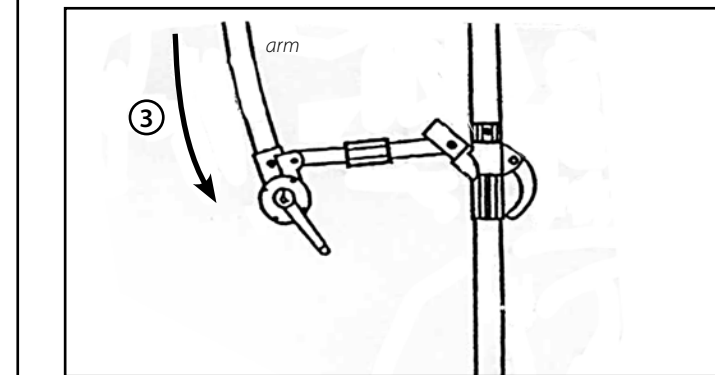
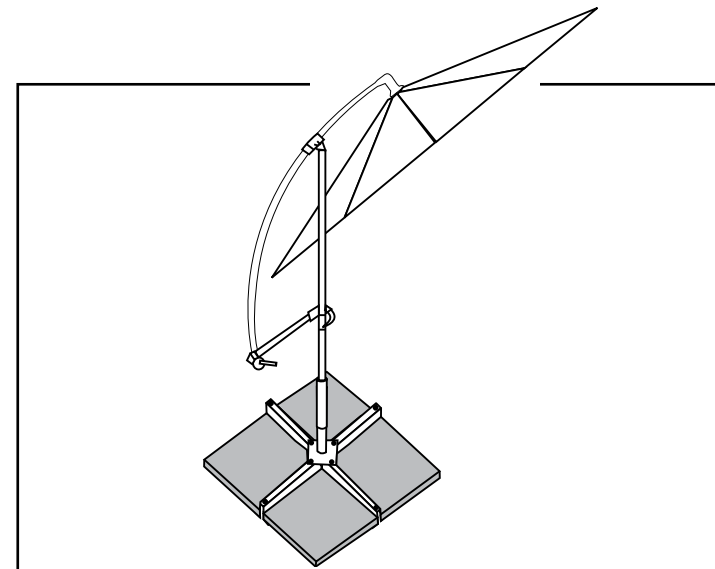
E. 5: **Important: Attach arm clamp to top collar.** A step stool may be needed. 6: Slide sleeve down ensuring sleeve is secure. Ask for help if needed.



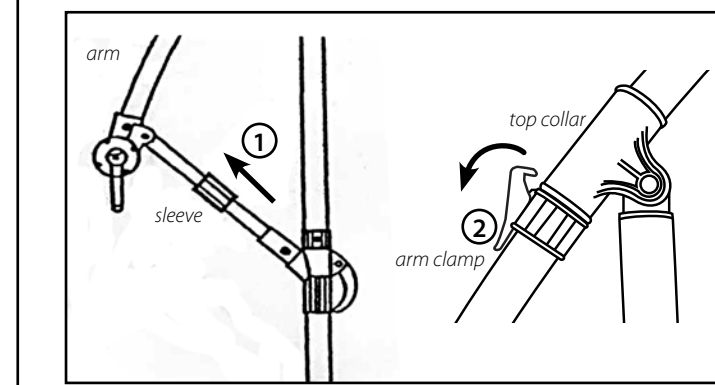
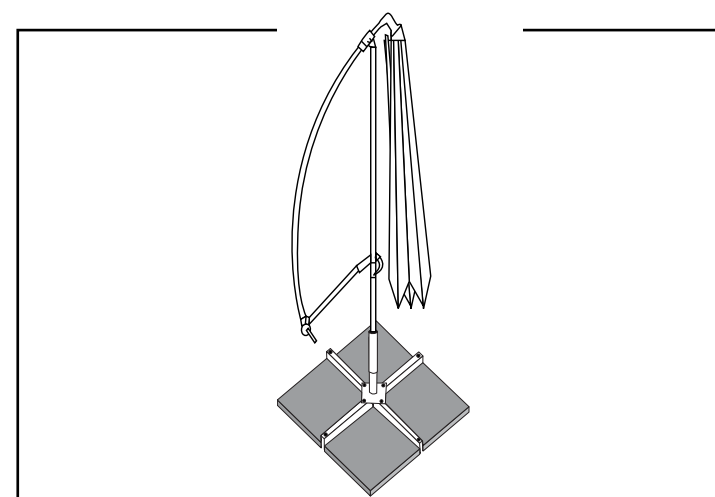
F. 6: Open canopy by turning crank until fully extended. **DO NOT FORCE THE CANOPY OPEN AS THIS COULD CAUSE DAMAGE.**



G. Fully assembled Cantilever Umbrella featuring paver stones.

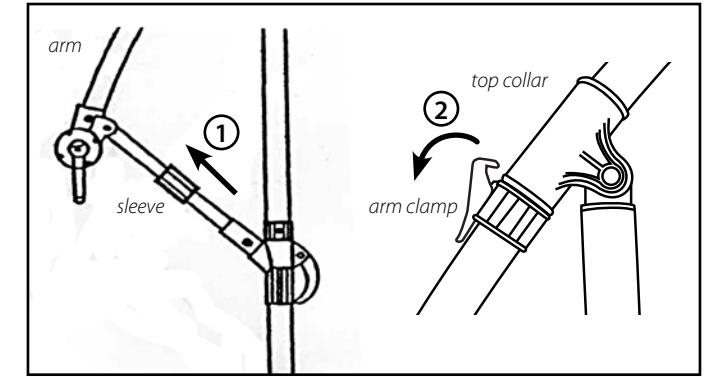


B. 3: Keeping the clamp lever locked (down) slowly lower arm to down position.

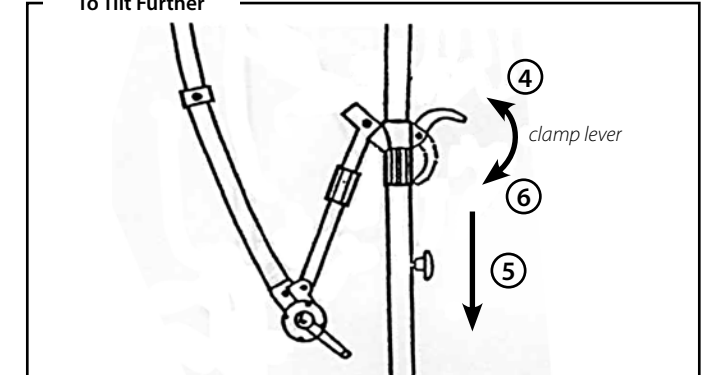


B. 1: With the canopy closed, slide sleeve up. 2: Release clamp from top collar.

## TO TILT YOUR UMBRELLA:

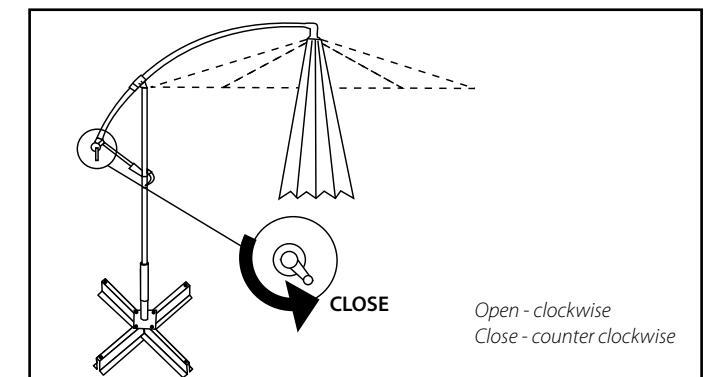


A. 1: With the canopy open, slide sleeve up. 2: Release clamp from top collar.

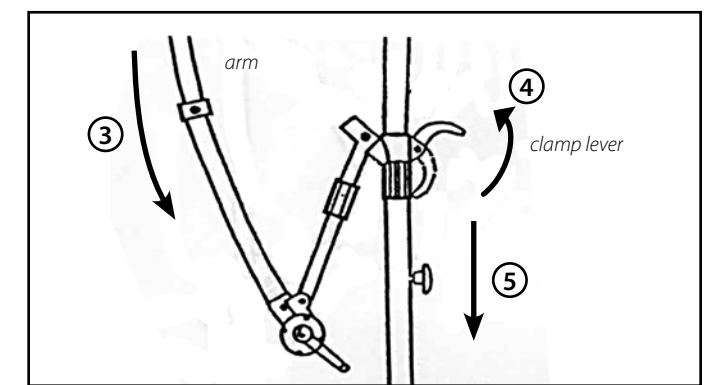


C. 4: Unlock clamp lever (up). 5: Slowly slide down to desired position. 6: Lock in place with clamp lever (down).

## TO LOWER YOUR UMBRELLA:



A. Close canopy by turning crank counterclockwise.



B. 3: Lower arm to down position. 4: Unlock clamp lever. 5: Slowly lower.