

PARTS LIST		QTY
A		2
B		2
C		1
D		1
D1		2
E		1
F		2
G		1
H		5

PARTS LIST		QTY
I		1
J		1
L		4
M		10
N		1
O		6
P		32
Q		10
R		8

PARTS LIST		QTY
S		1
T		1
U		1
V		14
W		4
X		2
Y		4
Z		8

ADDITIONAL TOOLS NEEDED
 Drill with 3/16 in bit
 Adjustment tool

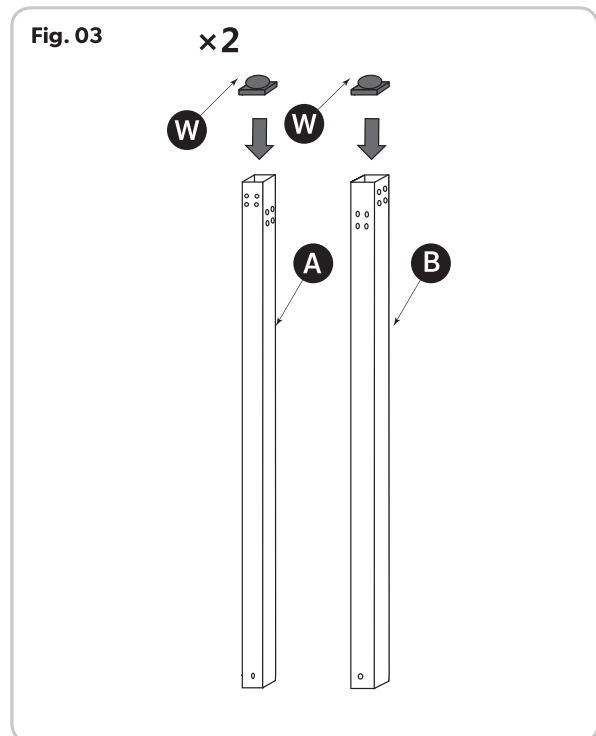
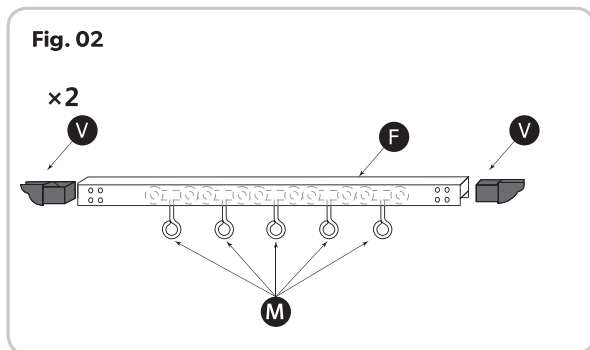
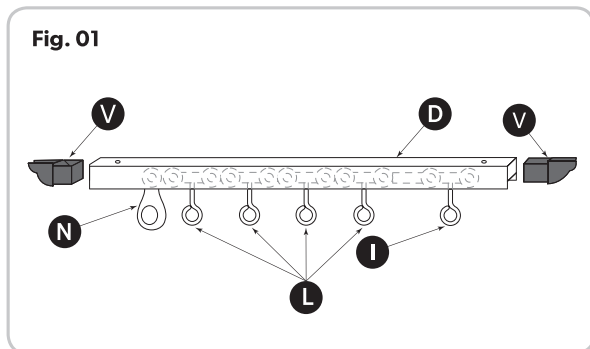


Fig. 04

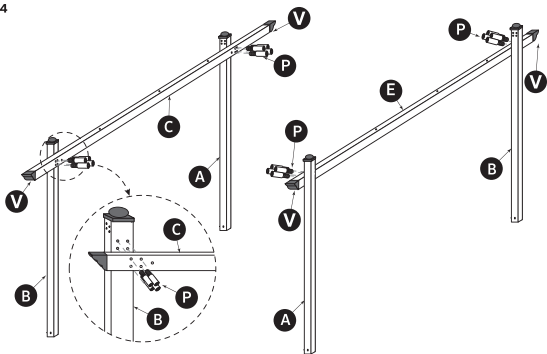


Fig. 05

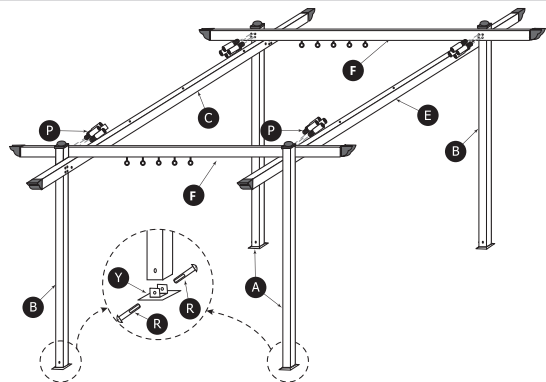


Fig. 06

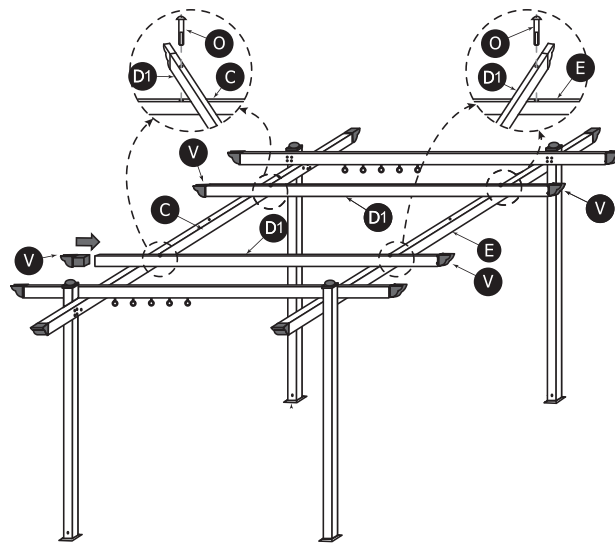


Fig. 07

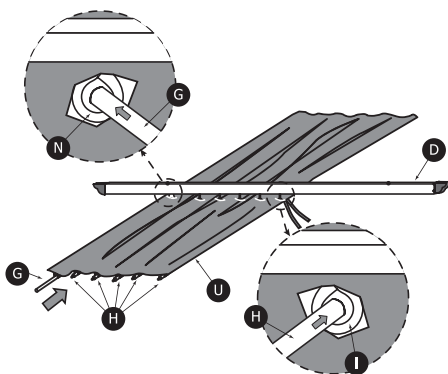


Fig. 08

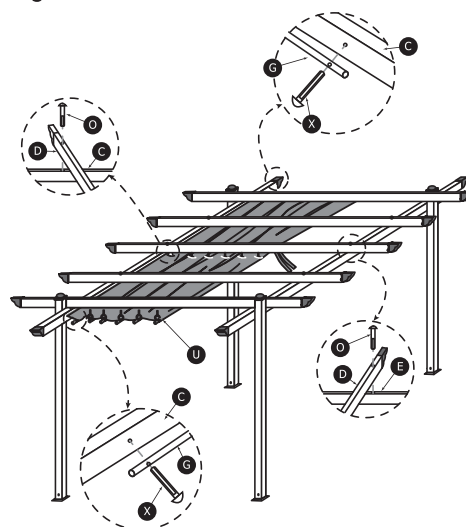
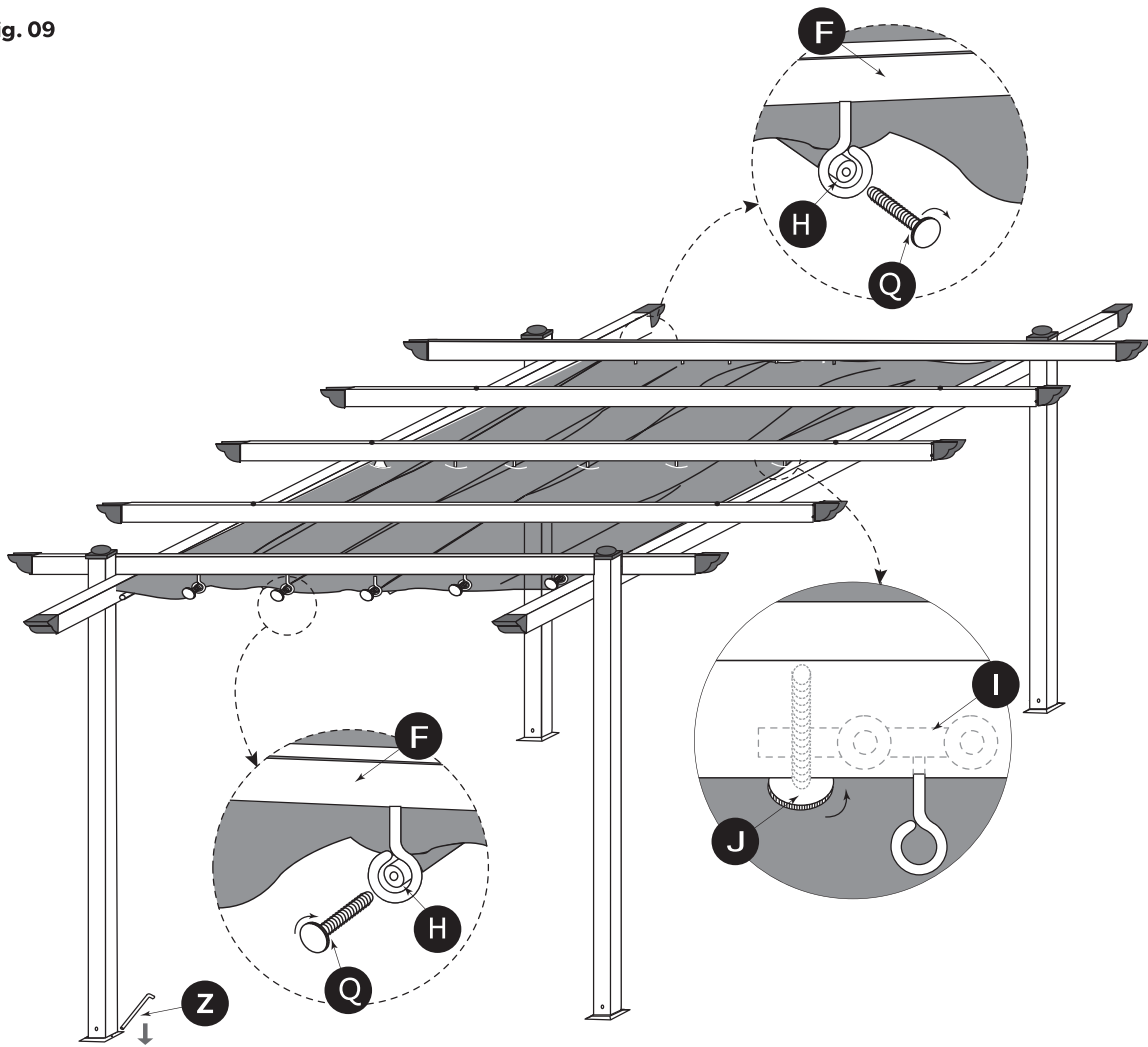


Fig. 09



Important Note

MAINTENANCE: Your Aurora Gazebo has been made of the finest materials and when properly cared for, will provide years of enjoyment. To clean, simply rinse with water, scrub with mild soap or any nonabrasive cleaner, rinse and air dry. Allow fabric to dry completely before storing. Call us for missing parts or mechanical problems.

CAUTION: Use of solvents or abrasive cleaners may damage the fabric and will void your warranty. Do not use bleach or chlorine.

Questions or Comments? Contact us at:

Gale Pacific USA, Inc. | www.coolarouusa.com | 1-800-560-4667

© by Gale Pacific Limited. All rights reserved. Coolaroo® is a registered trademark of Gale Pacific Limited.



Order Replacement parts online:
www.coolarouusa.com
0.00.000.000